

Iris – Chair Family

**Adoptable seating Collection
where versatility meets quality.**

Meet the Iris seating series – a versatile blend of elegance and functionality, designed to seamlessly enhance various spaces. More than just chairs, Iris is an inspiring addition to modern working and educational settings.

The Iris chair family excels in adaptability, effortlessly fitting into collaborative spaces with the need of dynamics and mobility. Its ergonomic backrest ensures optimum comfort for extended use, while its innovative design allows easy hanging from a table's edge and smooth lifting through a backrest opening.

But Iris is not just about style and versatility; it's a commitment to quality and durability. Crafted with careful attention, these chairs are built to endure daily rigors, making them a long-lasting investment.



ISKU
Since 1928

UNIVERSAL CHAIRS

for working, learning and living



Iris

4-LEG CHAIR

Design Petteri Häkkinen

Purposefully designed for comfort and practicality, the Iris Chair boasts an ergonomic backrest that encourages an ideal sitting position, ensuring a supportive experience for extended use. What sets this chair apart is its innovative feature – the ability to be easily hung from a table's edge. The chair, with an optional backrest opening, can be easily lifted.

The 4-leg Iris Chair is stackable for convenient storage when not in use.

Materials and finishing

Legs Powder-coated steel in ISKU standard colours / chrome.

Chair shell Plastic (red, petrol, grey and green) or bent plywood veneered with ISKU standard laminate or veneer.

Seat upholstery Available with ISKU standard fabrics for wooden shells.

Dimensions

| | S-size, wood | L-size, wood | L-size, plastic |
|----------------|--------------|--------------|-----------------|
| Height | 720 mm | 790 mm | 770 mm |
| Depth | 460 mm | 460 mm | 460 mm |
| Width | 500 mm | 500 mm | 500 mm |
| Seating height | 450 mm | 450 mm | 450 mm |
| Seating depth | 350 mm | 360 mm | 360 mm |
| Seating width | 390 mm | 410 mm | 400 mm |



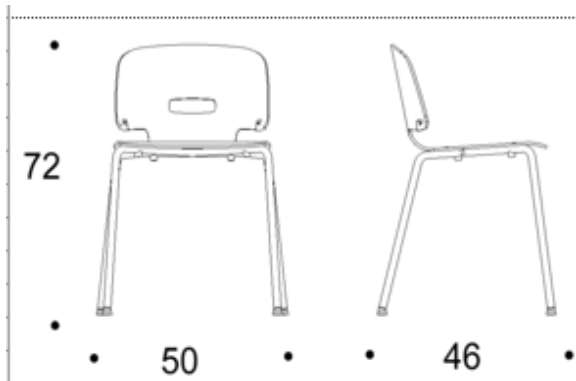
Iris

4-LEG CHAIR | WOOD, S

Technical details of 4-leg chair with wooden, S-sized chair shell

Make Your Decisions on

- the leg colour
 - powder-coated steel in ISKU Standard colours and chrome available
- the chair shell material
 - ISKU Standard Laminates available
 - ISKU Standard Veneers available
- the backrest opening (Yes/No)
- the seat upholstery (Yes/No)
 - ISKU Standard Fabrics available



| Mitat / Dimensions (cm) | Kova Wo uph. | Ist.verh. Seat uph. | Verh. Up. | Kpl/Pes |
|--------------------------------|--------------------|---------------------------|--------------|---------|
| Leveys / Width | 50 | 50 | | |
| Syvyys / Depth | 46 | 46 | | |
| Korkeus / Height | 72 | 72 | | |
| Istumakorkeus / Sitting height | 43 | 43 | | |
| Istuimen korkeus / Seat height | 45 | 45 | | |
| Istumasyvyys / Sitting depth | 33 | 33 | | |
| Istuimen syvyys / Seat depth | 35 | 35 | | |
| Tilavuus / Volume (m3) | 0,166 | 0,166 | | |
| Paino / Weight (kg) | 4 | 4,1 | | |

Pakkaustiedot / packing details:

| | | | | |
|---------------------------------------|------------------------------|-------|--|--|
| Leveys / Width | 56 | 56 | | |
| Syvyys / Depth | 59 | 59 | | |
| Korkeus / Height | 95 | 95 | | |
| Tilavuus / Volume (m3) | 0,314 | 0,314 | | |
| Paino / Weight (kg) | 17,5 | 17,9 | | |
| Kolli / esine Cll / item | 4 | 4 | | |
| Pakkausmateriaali Packing material | Ap-laatikko Cardboard box | | | |

| | | | | |
|-----------------------------------|-------------------|---------------|-----------------|--|
| Jalkatalla/Pad | Vakio Standard | Huopa Felt | Liukas Slide | |
| Koodi / Art.no. | • | • | | |
| Lisähinta / Additional price | | | | |
| Lisäkorotus / Additional increase | | | | |
| Riviytkentä/ Linking | | | | |

Variaatiot / Available variations

| | |
|---|---|
| Kova / Without upholstery | • |
| Istuin verhoiltu / Seat upholstered | • |
| Istuin ja selkäverhoiltu / Seat and back upholstered | |
| Ympäri verhoiltu / All-round upholstered | |
| Vaihtopäällinen / Removable cover | |
| Irtopäällinen / Loose cover | |
| Kromattu runko mahdollisuus / Option of chromed frame | • |
| Riviytkentä helalla / Linking with device | |
| Hela nro / Fitting no: | |
| Riviytkentä, oma runko / Integrated linking | |

| | |
|--|----|
| Pinottavuus, vapaana / Stackability, free standing | 10 |
| Pinottavuus, riviytkettävänä / Stackability, linked | |
| Pinottavuus tuolivaunussa / Stackability in chair trolley | 15 |
| Erikoistytöt vaunulle / Special manufacture for trolley: | |
| Etenemä pinossa, mm/tuoli / Advance when stacked, mm/chair | 39 |
| Verhoillun etenemä pinossa / Upholstered, advance when stacked: | |
| Soveltuu vain tuolinkannattimeen / Suitability for chair brackets only | |
| Erikoistytöt tuolille / Special manufacture for chair: | |



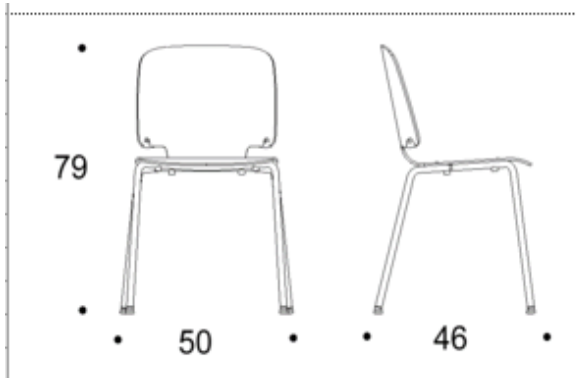
Iris

4-LEG CHAIR | WOOD, L

Technical details of 4-leg chair with wooden, L-sized chair shell

Make Your Decisions on

- the leg colour
 - powder-coated steel in ISKU Standard colours and chrome available
- the chair shell material
 - ISKU Standard Laminates available
 - ISKU Standard Veneers available
- the backrest opening (Yes/No)
- the seat upholstery (Yes/No)
 - ISKU Standard Fabrics available



| Mitat / Dimensions (cm) | Kova V/o uph. | Ist.verh. Seat uph. | Verh. Uph. | Kpl/Pcs |
|--------------------------------|---------------------|---------------------------|---------------|---------|
| Leveys / Width | 50 | 50 | | |
| Syvyys / Depth | 46 | 46 | | |
| Korkeus / Height | 79 | 79 | | |
| Istumakorkeus / Sitting height | 43 | 43 | | |
| Istuimen korkeus / Seat height | 44 | 44 | | |
| Istumasyvyys / Sitting depth | 34 | 34 | | |
| Istuimen syvyys / Seat depth | 36 | 36 | | |
| Tilavuus / Volume (m3) | 0,182 | 0,182 | | |
| Paino / Weight (kg) | 4,2 | 4,3 | | |

Pakkaustiedot / packing details:

| | | | |
|---------------------------------------|------------------------------|-------|--|
| Leveys / Width | 56 | 56 | |
| Syvyys / Depth | 59 | 59 | |
| Korkeus / Height | 95 | 95 | |
| Tilavuus / Volume (m3) | 0,314 | 0,314 | |
| Paino / Weight (kg) | 18,3 | 18,7 | |
| Kolli / esine CII / item | 4 | 4 | |
| Pakkausmateriaali Packing material | Ap-laatikko Cardboard box | | |

| | | | |
|-----------------------------------|-------------------|---------------|-----------------|
| Jalkatalla/Pad | Vakio Standard | Huopa Felt | Liukas Slide |
| Koodi / Art.no. | • | • | |
| Lisähinta / Additional price | | | |
| Lisäkorotus / Additional increase | | | |
| Riviytkentä/ Linking | | | |

Variaatiot / Available variations

| | |
|---|---|
| Kova / Without upholstery | • |
| Istuin verhoiltu / Seat upholstered | • |
| Istuin ja selkäverhoiltu / Seat and back upholstered | |
| Ympäri verhoiltu / All-round upholstered | |
| Vaihtopäällinen / Removable cover | |
| Irtopäällinen / Loose cover | |
| Kromattu runko mahdollisuus / Option of chromed frame | • |
| Riviytkentä helalla / Linking with device | |
| Hela nro / Fitting no: | |
| Riviytkentä, oma runko / Integrated linking | |

| | |
|--|----|
| Pinottavuus, vapaana / Stackability, free standing | 10 |
| Pinottavuus, riviytkettävänä / Stackability, linked | |
| Pinottavuus tuolivaunussa / Stackability in chair trolley | 15 |
| Erikoistytöt vaunulle / Special manufacture for trolley: | |
| Etenemä pinossa, mm/tuoli / Advance when stacked, mm/chair | 39 |
| Verhoillun etenemä pinossa / Upholstered, advance when stacked: | |
| Soveltuu vain tuolinkannattimeen / Suitability for chair brackets only | |
| Erikoistytöt tuolille / Special manufacture for chair: | |



Iris

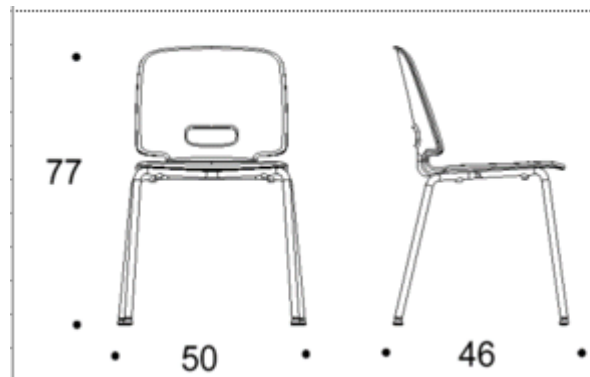
4-LEG CHAIR | PLASTIC, L

Technical details of 4-leg chair with plastic, L-sized chair shell

The plastic shell is always equipped with the backrest opening to facilitate lifting the chair.

Make Your Decisions on

- the leg colour
 - powder-coated steel in ISKU Standard colours and chrome available
- the colour of the plastics chair shell
 - Red NCS S 2070-Y80R, Petrol NCS S 5020-B, Green NCS S 5020-B50G or Grey NCS S 5005-G80Y.



| Mitat / Dimensions (cm) | Kova V/o uph. | Ist.verh. Seat uph. | Verh. Uph. |
|-------------------------------------|---------------------|---------------------------|---------------|
| Leveys / Width | 50 | | |
| Syvyys / Depth | 46 | | |
| Korkeus / Height | 77 | | |
| Istumakorkeus / Sitting height | 44 | | |
| Istuimen korkeus / Seat height | 45 | | |
| Istumasyvyys / Sitting depth | 33 | | |
| Istuimen syvyys / Seat depth | 36 | | |
| Tilavuus / Volume (m ³) | 0,177 | | |
| Paino / Weight (kg) | 4,2 | | |

Pakkaustiedot / packing details:

| | | | |
|---------------------------------------|------------------------------|--|--|
| Leveys / Width | 56 | | |
| Syvyys / Depth | 59 | | |
| Korkeus / Height | 95 | | |
| Tilavuus / Volume (m ³) | 0,314 | | |
| Paino / Weight (kg) | 18,3 | | |
| Kolli / esine / Cli / item | 4 | | |
| Pakkausmateriaali Packing material | Ap-laatikko Cardboard box | | |

| | | | |
|-----------------------------------|-------------------|---------------|-----------------|
| Jalkatalla/Pad | Vakio Standard | Huopa Felt | Liukas Slide |
| Koodi / Art.no. | • | • | |
| Lisähinta / Additional price | | | |
| Lisäkorotus / Additional increase | | | |
| Riviytkentä / Linking | | | |

Variaatiot / Available variations

| | |
|---|---|
| Kova / Without upholstery | • |
| Istuin verhoiltu / Seat upholstered | |
| Istuin ja selkäverhoiltu / Seat and back upholstered | |
| Ympäri verhoiltu / All-round upholstered | |
| Vaihtopäällinen / Removable cover | |
| Irtopäällinen / Loose cover | |
| Kromattu runko mahdollisuus / Option of chromed frame | • |
| Riviytkentä helalla / Linking with device | |
| Hela nro / Fitting no: | |
| Riviytkentä, oma runko / Integrated linking | |

| | Kpl/Pcs |
|--|---------|
| Pinottavuus, vapaana / Stackability, free standing | 10 |
| Pinottavuus, riviytkettävänä / Stackability, linked | |
| Pinottavuus tuolivaunussa / Stackability in chair trolley | 15 |
| Erikoistyöt vaunulle / Special manufacture for trolley: | |
| Etenemä pinossa, mm/tuoli / Advance when stacked, mm/chair | 37 |
| Verhoillun etenemä pinossa / Upholstered, advance when stacked: | |
| Soveltuu vain tuolinkannattimeen / Suitability for chair brackets only | |
| Erikoistyöt tuolille / Special manufacture for chair: | |



Iris

4-LEG CHAIR WITH CASTORS

Design Petteri Häkkinen

Purposefully designed for comfort and practicality, the Iris Chair boasts an ergonomic backrest that encourages an ideal sitting position, ensuring a supportive experience for extended use. What sets this chair apart is its innovative feature – the ability to be easily hung from a table's edge. The chair, with an optional backrest opening, can be easily lifted.

The 4-leg chair, equipped with castors, offers easy mobility and can be stacked for space-saving storage when not in use.

Materials and finishing

- Legs Powder-coated steel in ISKU standard colours.
- Chair shell Plastic (red, blue, grey and green) or bent plywood veneered with ISKU standard laminate or veneer
- Seat upholstery Available with ISKU standard fabrics for wooden shells.

Dimensions

| | S-size, wood | L-size, wood | L-size, plastic |
|----------------|--------------|--------------|-----------------|
| Height | 700 mm | 780 mm | 770 mm |
| Depth | 450 mm | 450 mm | 480 mm |
| Width | 480 mm | 480 mm | 480 mm |
| Seating height | 440 mm | 440 mm | 450 mm |
| Seating depth | 350 mm | 360 mm | 360 mm |
| Seating width | 390 mm | 400 mm | 400 mm |



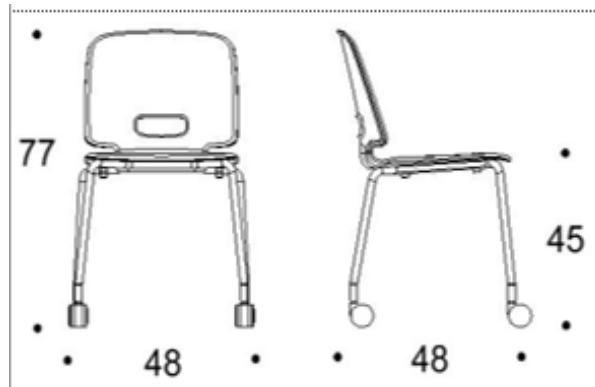
Iris

4-LEG CHAIR WITH CASTORS | WOOD, S

Technical details of 4-leg chair with castors and wooden, S-sized chair shell

Make Your Decisions on

- the leg colour
 - powder-coated steel in ISKU Standard colours and chrome available
- the chair shell material
 - ISKU Standard Laminates available
 - ISKU Standard Veneers available
- the backrest opening (Yes/No)
- the seat upholstery (Yes/No)
 - ISKU Standard Fabrics available



| Mitat / Dimensions (cm) | Kova Vfo uph. | Ist.verh. Seat uph. | Verh. Uph. |
|--------------------------------|---------------|---------------------|------------|
| Leveys / Width | 48 | | |
| Syvyys / Depth | 48 | | |
| Korkeus / Height | 77 | | |
| Istumakorkeus / Sitting height | 43 | | |
| Istuimen korkeus / Seat height | 45 | | |
| Istumasyvyys / Sitting depth | 33 | | |
| Istuimen syvyys / Seat depth | 35 | | |
| Tilavuus / Volume (m3) | 0,177 | | |
| Paino / Weight (kg) | 4,9 | | |

Pakkaustiedot / packing details:

| | | | |
|--------------------------------------|-----------------------------|--|--|
| Leveys / Width | 51 | | |
| Syvyys / Depth | 58 | | |
| Korkeus / Height | 90 | | |
| Tilavuus / Volume (m3) | 0,266 | | |
| Paino / Weight (kg) | 11,3 | | |
| Kolli / esine CII / item | 2 | | |
| Pakkausmateriaali / Packing material | Ap-laatikko / Cardboard box | | |

| | | | |
|-----------------------------------|----------------|------------|--------------|
| Jalkatalla/Pad | Vakio Standard | Huopa Felt | Liukas Slide |
| Koodi / Art.no. | • | • | |
| Lisähinta / Additional price | | | |
| Lisäkorotus / Additional increase | | | |
| Riviytkentä/ Linking | | | |

Variaatiot / Available variations

| | |
|---|---|
| Kova / Without upholstery | • |
| Istuin verhoiltu / Seat upholstered | |
| Istuin ja selkäverhoiltu / Seat and back upholstered | |
| Ympäri verhoiltu / All-round upholstered | |
| Vaihtopäällinen / Removable cover | |
| Irtopäällinen / Loose cover | |
| Kromattu runko mahdollisuus / Option of chromed frame | • |
| Riviytkentä helalla / Linking with device | |
| Hela nro / Fitting no: | |
| Riviytkentä, oma runko / Integrated linking | |

| | |
|--|----|
| Pinottavuus, vapaana / Stackability, free standing | 10 |
| Pinottavuus, riviytkettävänä / Stackability, linked | |
| Pinottavuus tuolivaunussa / Stackability in chair trolley | 15 |
| Erikoistyöt vaunulle / Special manufacture for trolley: | |
| Etenemä pinossa, mm/tuoli / Advance when stacked, mm/chair | 38 |
| Verhoillun etenemä pinossa / Upholstered, advance when stacked: | |
| Soveltuu vain tuolinkannattimeen / Suitability for chair brackets only | |
| Erikoistyöt tuolille / Special manufacture for chair: | |



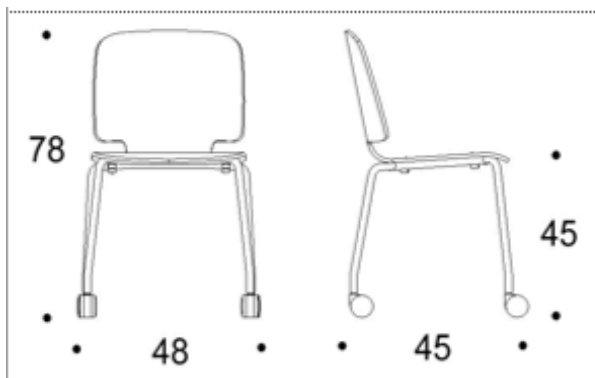
Iris

4-LEG CHAIR WITH CASTORS | WOOD, L

Technical details of 4-leg chair with castors and wooden, L-sized chair shell

Make Your Decisions on

- the leg colour
 - powder-coated steel in ISKU Standard colours and chrome available
- the chair shell material
 - ISKU Standard Laminates available
 - ISKU Standard Veneers available
- the backrest opening (Yes/No)
- the seat upholstery (Yes/No)
 - ISKU Standard Fabrics available



| Mitat / Dimensions (cm) | Kova W/o uph. | Ist.verh. Seat uph. | Verh. Uph. | Kpl/Pcs |
|--------------------------------|---------------------|---------------------------|---------------|---------|
| Leveys / Width | 48 | 48 | | |
| Syvyys / Depth | 45 | 45 | | |
| Korkeus / Height | 78 | 78 | | |
| Istumakorkeus / Sitting height | 43 | 43 | | |
| Istuimen korkeus / Seat height | 45 | 45 | | |
| Istumasyvyys / Sitting depth | 34 | 34 | | |
| Istuimen syvyys / Seat depth | 36 | 36 | | |
| Tilavuus / Volume (m3) | 0,168 | 0,168 | | |
| Paino / Weight (kg) | 4,9 | 5 | | |

Pakkaustiedot / packing details:

| | | | | |
|---------------------------------------|------------------------------|-------|--|--|
| Leveys / Width | 51 | 51 | | |
| Syvyys / Depth | 58 | 58 | | |
| Korkeus / Height | 90 | 90 | | |
| Tilavuus / Volume (m3) | 0,266 | 0,266 | | |
| Paino / Weight (kg) | 11,3 | 11,5 | | |
| Kolli / esine Cll / item | 2 | 2 | | |
| Pakkausmateriaali Packing material | Ap-laatikko Cardboard box | | | |

| | | | |
|-----------------------------------|-------------------|---------------|-----------------|
| Jalkatalla/Pad | Vakio Standard | Huopa Felt | Liukas Slide |
| Koodi / Art.no. | • | • | |
| Lisähinta / Additional price | | | |
| Lisäkorotus / Additional increase | | | |
| Riviytkentä/ Linking | | | |

Variaatiot / Available variations

| | |
|---|---|
| Kova / Without upholstery | • |
| Istuin verhoiltu / Seat upholstered | • |
| Istuin ja selkäverhoiltu / Seat and back upholstered | |
| Ympäri verhoiltu / All-round upholstered | |
| Vaihtopäällinen / Removable cover | |
| Irtopäällinen / Loose cover | |
| Kromattu runko mahdollisuus / Option of chromed frame | • |
| Riviytkentä helalla / Linking with device | |
| Hela nro / Fitting no: | |
| Riviytkentä, oma runko / Integrated linking | |

| | |
|--|----|
| Pinottavuus, vapaana / Stackability, free standing | 10 |
| Pinottavuus, riviytkettävänä / Stackability, linked | |
| Pinottavuus tuolivaunussa / Stackability in chair trolley | 15 |
| Erikoistyöt vaunulle / Special manufacture for trolley: | |
| Etenemä pinossa, mm/tuoli / Advance when stacked, mm/chair | 33 |
| Verhoillun etenemä pinossa / Upholstered, advance when stacked: | |
| Soveltuu vain tuolinkannattimeen / Suitability for chair brackets only | |
| Erikoistyöt tuolille / Special manufacture for chair: | |



Iris

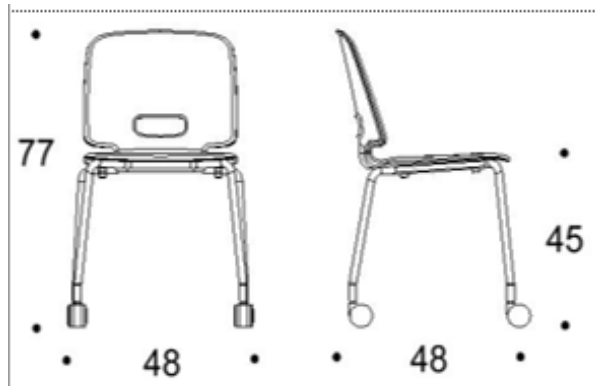
4-LEG CHAIR WITH CASTORS | PLASTIC, L

Technical details of 4-leg chair with castors and plastic, L-sized chair shell

The plastic shell is always equipped with the backrest opening to facilitate lifting the chair.

Make Your Decisions on

- the leg colour
 - powder-coated steel in ISKU Standard colours and chrome available
- the colour of the plastics chair shell
 - Red NCS S 2070-Y80R, Petrol NCS S 5020-B, Green NCS S 5020-B50G or Grey NCS S 5005-G80Y



| Mitat / Dimensions (cm) | Kova w/o uph. | Ist.verh. Seat uph. | Verh. Uph. |
|--------------------------------|---------------------|---------------------------|---------------|
| Leveys / Width | 48 | | |
| Syvyys / Depth | 48 | | |
| Korkeus / Height | 77 | | |
| Istumakorkeus / Sitting height | 43 | | |
| Istuimen korkeus / Seat height | 45 | | |
| Istumasyvyys / Sitting depth | 33 | | |
| Istuimen syvyys / Seat depth | 36 | | |
| Tilavuus / Volume (m3) | 0,177 | | |
| Paino / Weight (kg) | 4,9 | | |

Pakkaustiedot / packing details:

| | | | |
|---------------------------------------|------------------------------|--|--|
| Leveys / Width | 51 | | |
| Syvyys / Depth | 58 | | |
| Korkeus / Height | 90 | | |
| Tilavuus / Volume (m3) | 0,266 | | |
| Paino / Weight (kg) | 11,3 | | |
| Kolli / esine Cll / item | 2 | | |
| Pakkausmateriaali Packing material | Ap-laatikko Cardboard box | | |

| | | | |
|-----------------------------------|-------------------|---------------|-----------------|
| Jalkatalla/Pad | Vakio Standard | Huopa Felt | Liukas Slide |
| Koodi / Art.no. | • | • | |
| Lisähinta / Additional price | | | |
| Lisäkorotus / Additional increase | | | |
| Riviytkentä/ Linking | | | |

Variaatiot / Available variations

| | |
|---|---|
| Kova / Without upholstery | • |
| Istuin verhoiltu / Seat upholstered | |
| Istuin ja selkäverhoiltu / Seat and back upholstered | |
| Ympäri verhoiltu / All-round upholstered | |
| Vaihtopäällinen / Removable cover | |
| Irtopäällinen / Loose cover | |
| Kromattu runko mahdollisuus / Option of chromed frame | • |
| Riviytkentä helalla / Linking with device | |
| Hela nro / Fitting no: | |
| Riviytkentä, oma runko / Integrated linking | |

| | Kpl/Pcs |
|--|---------|
| Pinottavuus, vapaana / Stackability, free standing | 10 |
| Pinottavuus, riviytkettävänä / Stackability, linked | |
| Pinottavuus tuolivaunussa / Stackability in chair trolley | 15 |
| Erikoistyöt vaunulle / Special manufacture for trolley: | |
| Etenemä pinossa, mm/tuoli/ Advance when stacked, mm/chair | 38 |
| Verhoillun etenemä pinossa / Upholstered, advance when stacked: | |
| Soveltuu vain tuolinkannattimeen / Suitability for chair brackets only | |
| Erikoistyöt tuolille / Special manufacture for chair: | |



Iris

CHAIR WITH LOOP LEGS

Design Petteri Häkkinen

Purposefully designed for comfort and practicality, the Iris Chair boasts an ergonomic backrest that encourages an ideal sitting position, ensuring a supportive experience for extended use. What sets this chair apart is its innovative feature – the ability to be easily hung from a table's edge. The chair, with an optional backrest opening, can be easily lifted.

The loop-legged chair can be stacked for space-saving storage when not in use.

Materials and finishing

- Legs Powder-coated steel in ISKU standard colours.
- Chair shell Plastic (red, blue, grey and green) or bent plywood veneered with ISKU standard laminate or veneer
- Seat upholstery Available with ISKU standard fabrics for wooden shells.

Dimensions

| | S-size, wood | L-size, wood | L-size, plastic |
|----------------|--------------|--------------|-----------------|
| Height | 700 mm | 780 mm | 770 mm |
| Depth | 470 mm | 470 mm | 470 mm |
| Width | 500 mm | 500 mm | 500 mm |
| Seating height | 450 mm | 450 mm | 450 mm |
| Seating depth | 350 mm | 360 mm | 360 mm |
| Seating width | 390 mm | 410 mm | 400 mm |

S-size / Wood



L-size / Plastic



L-size / Wood



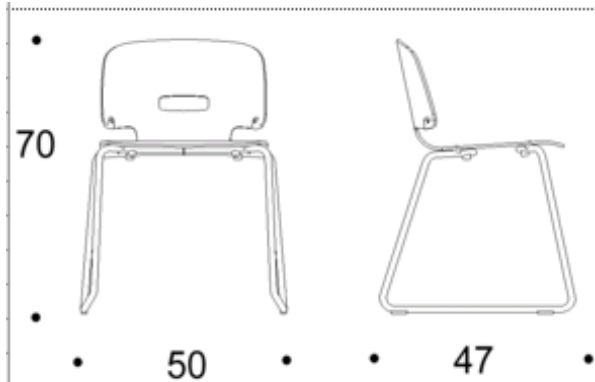
Iris

CHAIR WITH LOOP LEGS | WOOD, S

Technical details of loop-legged chair with wooden, S-sized chair shell

Make Your Decisions on

- the leg colour
 - powder-coated steel in ISKU Standard colours and chrome available
- the chair shell material
 - ISKU Standard Laminates available
 - ISKU Standard Veneers available
- the backrest opening (Yes/No)
- the seat upholstery (Yes/No)
 - ISKU Standard Fabrics available



| Mitat / Dimensions (cm) | Kova Vto uph. | Ist.verh. Seat uph. | Verh. Uph. | Kpl/Pcs |
|--------------------------------|---------------------|---------------------------|---------------|---------|
| Leveys / Width | 50 | 50 | | |
| Syvyys / Depth | 47 | 47 | | |
| Korkeus / Height | 70 | 70 | | |
| Istumakorkeus / Sitting height | 43 | 73 | | |
| Istuimen korkeus / Seat height | 45 | 45 | | |
| Istumasyvyys / Sitting depth | 33 | 33 | | |
| Istuimen syvyys / Seat depth | 35 | 35 | | |
| Tilavuus / Volume (m3) | 0,165 | 0,165 | | |
| Paino / Weight (kg) | 4,1 | 4,2 | | |

Pakkaustiedot / packing details:

| | | | |
|---------------------------------------|------------------------------|-------|--|
| Leveys / Width | 56 | 56 | |
| Syvyys / Depth | 59 | 59 | |
| Korkeus / Height | 95 | 95 | |
| Tilavuus / Volume (m3) | 0,314 | 0,314 | |
| Paino / Weight (kg) | 17,9 | 18,3 | |
| Kolli / esine Cll / item | 4 | 4 | |
| Pakkausmateriaali Packing material | Ap-laatikko Cardboard box | | |

| | | | |
|-----------------------------------|-------------------|---------------|-----------------|
| Jalkatalla/Pad | Vakio Standard | Huopa Felt | Liukas Slide |
| Koodi / Art.no. | • | • | |
| Lisähinta / Additional price | | | |
| Lisäkorotus / Additional increase | | | |
| Riviytkentä/ Linking | | | |

Variaatiot / Available variations

| | |
|---|---|
| Kova / Without upholstery | • |
| Istuin verhoiltu / Seat upholstered | • |
| Istuin ja selkäverhoiltu / Seat and back upholstered | |
| Ympäri verhoiltu / All-round upholstered | |
| Vaihtopäällinen / Removable cover | |
| Irtopäällinen / Loose cover | |
| Kromattu runko mahdollisuus / Option of chromed frame | • |
| Riviytkentä helalla / Linking with device | • |
| Hela nro / Fitting no: | |
| Riviytkentä, oma runko / Integrated linking | |

| | |
|--|----|
| Pinottavuus, vapaana / Stackability, free standing | 10 |
| Pinottavuus, riviytkettävänä / Stackability, linked | 10 |
| Pinottavuus tuolivaunussa / Stackability in chair trolley | 20 |
| Erikoistyöt vaunulle / Special manufacture for trolley: | |
| Etenemä pinossa, mm/tuoli/ Advance when stacked, mm/chair | 35 |
| Verhoillun etenemä pinossa / Upholstered, advance when stacked: | |
| Soveltuu vain tuolinkannattimeen / Suitability for chair brackets only | |
| Erikoistyöt tuolille / Special manufacture for chair: | |



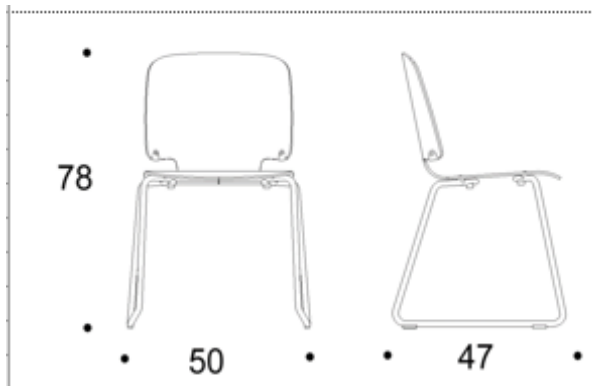
Iris

CHAIR WITH LOOP LEGS | WOOD, L

Technical details of loop-legged chair with wooden, L-sized chair shell

Make Your Decisions on

- the leg colour
 - powder-coated steel in ISKU Standard colours and chrome available
- the chair shell material
 - ISKU Standard Laminates available
 - ISKU Standard Veneers available
- the backrest opening (Yes/No)
- the seat upholstery (Yes/No)
 - ISKU Standard Fabrics available



| Mitat / Dimensions (cm) | Kova Vto uph. | Ist.verh. Seat uph. | Verh. Uph. | Kpl/Pcs |
|--------------------------------|---------------------|---------------------------|---------------|---------|
| Leveys / Width | 50 | 50 | | |
| Syvyys / Depth | 47 | 47 | | |
| Korkeus / Height | 78 | 78 | | |
| Istumakorkeus / Sitting height | 43 | 43 | | |
| Istuimen korkeus / Seat height | 45 | 45 | | |
| Istumasyvyys / Sitting depth | 34 | 34 | | |
| Istuimen syvyys / Seat depth | 36 | 36 | | |
| Tilavuus / Volume (m3) | 0,183 | 0,183 | | |
| Paino / Weight (kg) | 4,4 | 4,5 | | |

Pakkauksetiedot / packing details:

| | | | |
|---------------------------------------|------------------------------|-------|--|
| Leveys / Width | 56 | 56 | |
| Syvyys / Depth | 59 | 59 | |
| Korkeus / Height | 95 | 95 | |
| Tilavuus / Volume (m3) | 0,314 | 0,314 | |
| Paino / Weight (kg) | 19,1 | 19,5 | |
| Kolli / esine Cll / item | 4 | 4 | |
| Pakkausmateriaali Packing material | Ap-laatikko Cardboard box | | |

| | | | |
|-----------------------------------|-------------------|---------------|-----------------|
| Jalkatalla/Pad | Vakio Standard | Huopa Felt | Liukas Slide |
| Koodi / Art.no. | • | • | |
| Lisähinta / Additional price | | | |
| Lisäkorotus / Additional increase | | | |
| Riviytkentä/ Linking | | | |

Variaatiot / Available variations

| | |
|---|---|
| Kova / Without upholstery | • |
| Istuin verhoiltu / Seat upholstered | • |
| Istuin ja selkäverhoiltu / Seat and back upholstered | |
| Ympäri verhoiltu / All-round upholstered | |
| Vaihtopäällinen / Removable cover | |
| Irtopäällinen / Loose cover | |
| Kromattu runko mahdollisuus / Option of chromed frame | • |
| Riviytkentä helalla / Linking with device | • |
| Hela nro / Fitting no: | |
| Riviytkentä, oma runko / Integrated linking | |

| | |
|--|----|
| Pinottavuus, vapaana / Stackability, free standing | 10 |
| Pinottavuus, riviytkettävänä / Stackability, linked | 10 |
| Pinottavuus tuolivaunussa / Stackability in chair trolley | 20 |
| Erikoistyöt vaunulle / Special manufacture for trolley: | |
| Etenemä pinossa, mm/tuoli / Advance when stacked, mm/chair | 35 |
| Verhoillun etenemä pinossa / Upholstered, advance when stacked: | |
| Soveltuu vain tuolinkannattimeen / Suitability for chair brackets only | |
| Erikoistyöt tuolille / Special manufacture for chair: | |



Iris

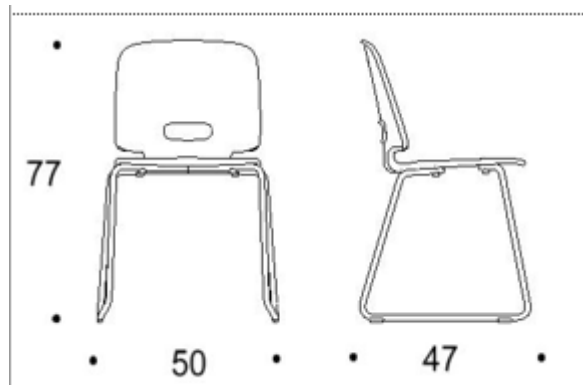
CHAIR WITH LOOP LEGS | PLASTIC, L

Technical details of loop-legged chair with plastic, L-sized chair shell

The plastic shell is always equipped with the backrest opening to facilitate lifting the chair.

Make Your Decisions on

- the leg colour
 - powder-coated steel in ISKU Standard colours and chrome available
- the colour of the plastics chair shell
 - Red NCS S 2070-Y80R, Petrol NCS S 5020-B, Green NCS S 5020-B50G or Grey NCS S 5005-G80Y



| Mitat / Dimensions (cm) | Kova Vto uph. | Ist.verh. Seat uph. | Verh. Uph. | Kpl/Pes |
|--------------------------------|---------------------|---------------------------|---------------|---------|
| Leveys / Width | 50 | | | |
| Syvyys / Depth | 47 | | | |
| Korkeus / Height | 77 | | | |
| Istumakorkeus / Sitting height | 43 | | | |
| Istuimen korkeus / Seat height | 45 | | | |
| Istumasyvyys / Sitting depth | 33 | | | |
| Istuimen syvyys / Seat depth | 36 | | | |
| Tilavuus / Volume (m3) | 0,181 | | | |
| Paino / Weight (kg) | 4,3 | | | |

Pakkauksetiedot / packing details:

| | | | | |
|---------------------------------------|------------------------------|--|--|--|
| Leveys / Width | 56 | | | |
| Syvyys / Depth | 59 | | | |
| Korkeus / Height | 95 | | | |
| Tilavuus / Volume (m3) | 0,314 | | | |
| Paino / Weight (kg) | 18,7 | | | |
| Kolli / esine CII / Item | 4 | | | |
| Pakkausmateriaali Packing material | Ap-laatikko Cardboard box | | | |

| | | | | |
|-----------------------------------|-------------------|---------------|-----------------|--|
| Jalkatalla/Pad | Vakio Standard | Huopa Felt | Liukas Slide | |
| Koodi / Art.no. | • | • | | |
| Lisähinta / Additional price | | | | |
| Lisäkorotus / Additional increase | | | | |
| Riviytkentä/ Linking | | | | |

Variaatiot / Available variations

| | |
|---|---|
| Kova / Without upholstery | • |
| Istuin verhoiltu / Seat upholstered | |
| Istuin ja selkäverhoiltu / Seat and back upholstered | |
| Ympäri verhoiltu / All-round upholstered | |
| Vaihtopäällinen / Removable cover | |
| Irtopäällinen / Loose cover | |
| Kromattu runko mahdollisuus / Option of chromed frame | • |
| Riviytkentä helalla / Linking with device | • |
| Hela nro / Fitting no: | |
| Riviytkentä, oma runko / Integrated linking | |

| | |
|--|----|
| Pinottavuus, vapaana / Stackability, free standing | 10 |
| Pinottavuus, riviytkettävänä / Stackability, linked | 10 |
| Pinottavuus tuolivaunussa / Stackability in chair trolley | 20 |
| Erikoistyöt vaunulle / Special manufacture for trolley: | |
| Etenemä pinossa, mm/tuoli/ Advance when stacked, mm/chair | 35 |
| Verhoillun etenemä pinossa / Upholstered, advance when stacked: | |
| Soveltuu vain tuolinkannattimeen / Suitability for chair brackets only | |
| Erikoistyöt tuolille / Special manufacture for chair: | |



Iris

CHAIR WITH C-LEGS

Design Petteri Häkkinen

Purposefully designed for comfort and practicality, the Iris Chair boasts an ergonomic backrest that encourages an ideal sitting position, ensuring a supportive experience for extended use. What sets this chair apart is its innovative feature – the ability to be easily hung from a table's edge. The chair, with an optional backrest opening, can be easily lifted.

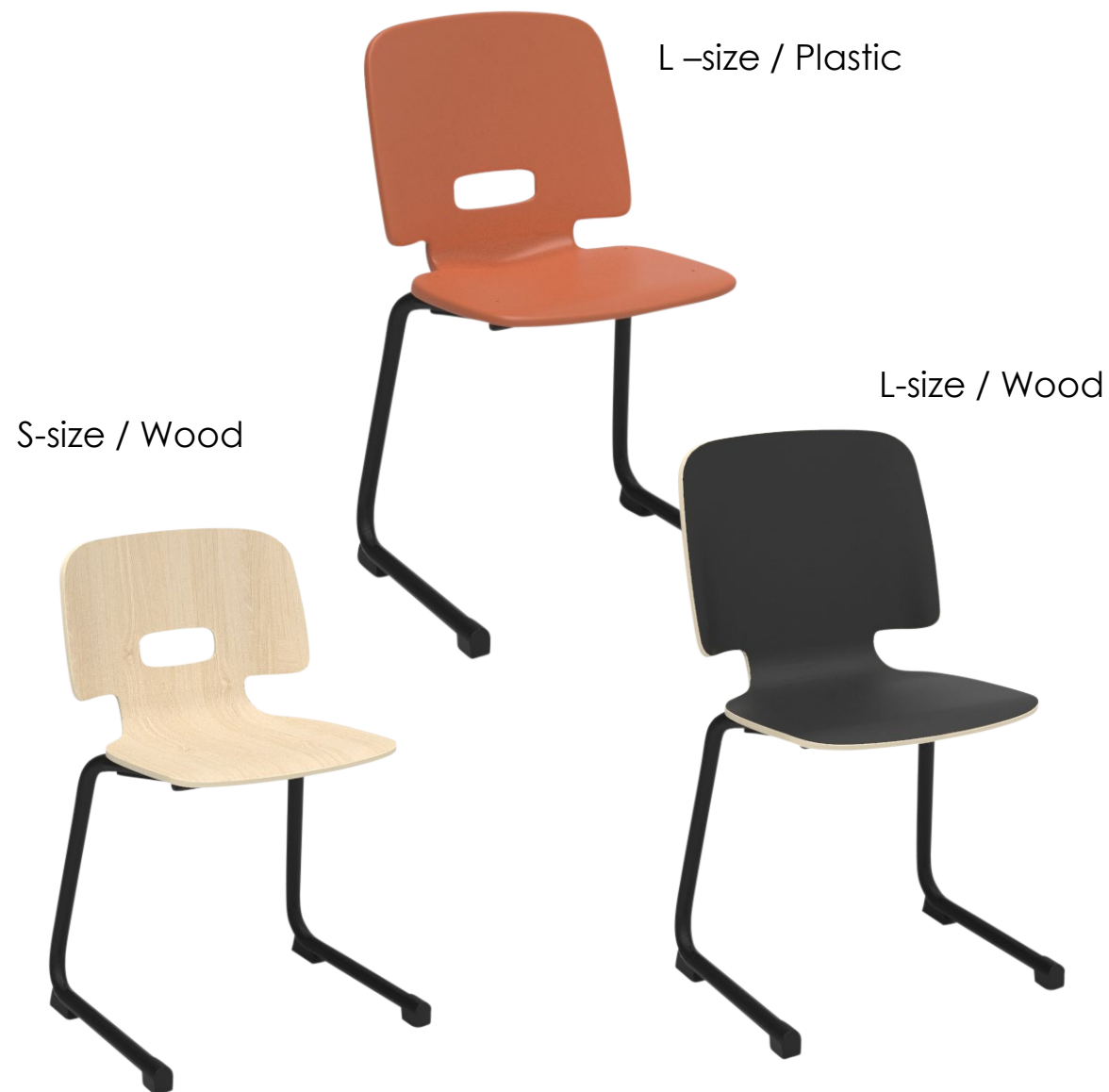
The C-leg allows the chair to be hung from the frame onto the tabletop.

Materials and finishing

- Legs Powder-coated steel in ISKU standard colours.
- Chair shell Plastic (red, blue, grey and green) or bent plywood veneered with ISKU standard laminate or veneer
- Seat upholstery Available with ISKU standard fabrics for wooden shells.

Dimensions

| | S-size, wood | L-size, wood | L-size, plastic |
|----------------|--------------|--------------|-----------------|
| Height | 690 mm | 780 mm | 770 mm |
| Depth | 440 mm | 470 mm | 470 mm |
| Width | 470 mm | 500 mm | 500 mm |
| Seating height | 450 mm | 450 mm | 450 mm |
| Seating depth | 350 mm | 360 mm | 360 mm |
| Seating width | 390 mm | 410 mm | 400 mm |



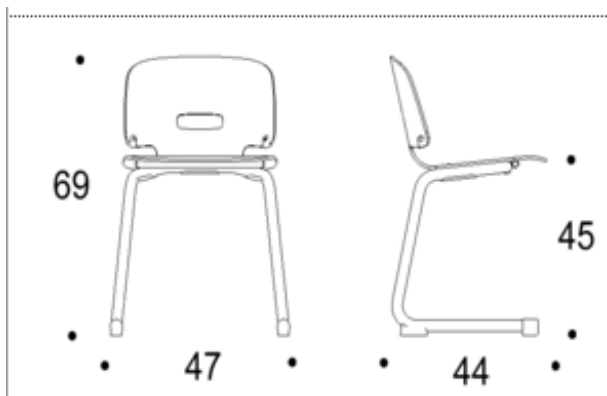
Iris

CHAIR WITH C-LEG | WOOD, S

Technical details of loop-legged chair with wooden, S-sized chair shell

Make Your Decisions on

- the leg colour
 - powder-coated steel in ISKU Standard colours and chrome available
- the chair shell material
 - ISKU Standard Laminates available
 - ISKU Standard Veneers available
- the backrest opening (Yes/No)
- the seat upholstery (Yes/No)
 - ISKU Standard Fabrics available



| Mitat / Dimensions (cm) | Kova w/o uph. | Ist.verh. Seat uph. | Verh. Uph. |
|--------------------------------|---------------------|---------------------------|---------------|
| Leveys / Width | 47 | 47 | |
| Syvyys / Depth | 44 | 44 | |
| Korkeus / Height | 69 | 69 | |
| Istumakorkeus / Sitting height | 44 | 44 | |
| Istuimen korkeus / Seat height | 45 | 45 | |
| Istumasyvyys / Sitting depth | 33 | 33 | |
| Istuimen syvyys / Seat depth | 35 | 35 | |
| Tilavuus / Volume (m3) | 0,143 | 0,143 | |
| Paino / Weight (kg) | 4,9 | 5 | |

Pakkaustiedot / packing details:

| | | | |
|---------------------------------------|------------------------------|-------|--|
| Leveys / Width | 51 | 51 | |
| Syvyys / Depth | 58 | 58 | |
| Korkeus / Height | 90 | 90 | |
| Tilavuus / Volume (m3) | 0,266 | 0,266 | |
| Paino / Weight (kg) | 11,3 | 11,5 | |
| Kolli / esine / Ctl / item | 2 | 2 | |
| Pakkausmateriaali Packing material | Ap-laatikko Cardboard box | | |

| | | | |
|-----------------------------------|-------------------|---------------|-----------------|
| Jalkatalla/Pad | Vakio Standard | Huopa Felt | Liukas Slide |
| Koodi / Art.no. | • | • | |
| Lisähinta / Additional price | | | |
| Lisäkorotus / Additional increase | | | |
| Riviytkentä/ Linking | | | |

Variaatiot / Available variations

| | |
|---|---|
| Kova / Without upholstery | • |
| Istuin verhoiltu / Seat upholstered | • |
| Istuin ja selkäverhoiltu / Seat and back upholstered | |
| Ympäri verhoiltu / All-round upholstered | |
| Vaihtopäällinen / Removable cover | |
| Irtopäällinen / Loose cover | |
| Kromattu runko mahdollisuus / Option of chromed frame | • |
| Riviytkentä helalla / Linking with device | |
| Hela nro / Fitting no: | |
| Riviytkentä, oma runko / Integrated linking | |

| | Kpl/Pcs |
|--|---------|
| Pinottavuus, vapaana / Stackability, free standing | |
| Pinottavuus, riviytkettävänä / Stackability, linked | |
| Pinottavuus tuolivaunussa / Stackability in chair trolley | |
| Erikoistyöt vaunulle / Special manufacture for trolley: | |
| Etenemä pinossa, mm/tuoli / Advance when stacked, mm/chair | |
| Verhoillun etenemä pinossa / Upholstered, advance when stacked: | |
| Soveltuu vain tuolinkannattimeen / Suitability for chair brackets only | |
| Erikoistyöt tuolille / Special manufacture for chair: | |



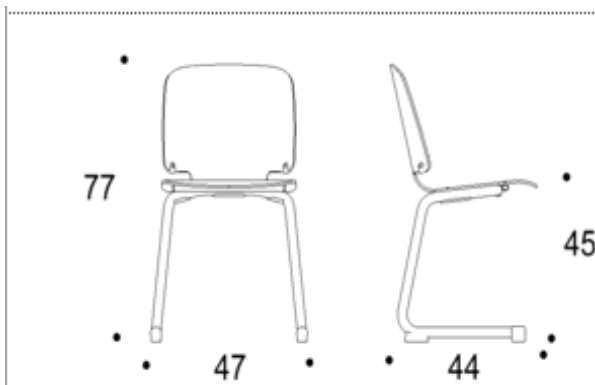
Iris

CHAIR WITH C-LEG | WOOD, L

Technical details of loop-legged chair with wooden, L-sized chair shell

Make Your Decisions on

- the leg colour
 - powder-coated steel in ISKU Standard colours and chrome available
- the chair shell material
 - ISKU Standard Laminates available
 - ISKU Standard Veneers available
- the backrest opening (Yes/No)
- the seat upholstery (Yes/No)
 - ISKU Standard Fabrics available



| Mitat / Dimensions (cm) | Kova W/o uph. | Ist.verh. Seat uph. | Verh. Uph. |
|--------------------------------|---------------------|---------------------------|---------------|
| Leveys / Width | 47 | 47 | |
| Syvyys / Depth | 44 | 44 | |
| Korkeus / Height | 77 | 77 | |
| Istumakorkeus / Sitting height | 44 | 44 | |
| Istuimen korkeus / Seat height | 45 | 45 | |
| Istumasyvyys / Sitting depth | 34 | 34 | |
| Istuimen syvyys / Seat depth | 36 | 36 | |
| Tilavuus / Volume (m3) | 0,159 | 0,159 | |
| Paino / Weight (kg) | 5 | 5,1 | |

Pakkaustiedot / packing details:

| | | |
|---------------------------------------|------------------------------|-------|
| Leveys / Width | 51 | 51 |
| Syvyys / Depth | 58 | 58 |
| Korkeus / Height | 90 | 90 |
| Tilavuus / Volume (m3) | 0,266 | 0,266 |
| Paino / Weight (kg) | 11,5 | 11,7 |
| Kolli / esine / Cl / item | 2 | 2 |
| Pakkausmateriaali Packing material | Ap-laatikko Cardboard box | |

| Jalkatalla/Pad | Vakio Standard | Huopa Felt | Liukas Slide |
|-----------------------------------|-------------------|---------------|-----------------|
| Koodi / Art.no. | • | • | |
| Lisähinta / Additional price | | | |
| Lisäkorotus / Additional increase | | | |
| Riviytkentä/ Linking | | | |

Variaatiot / Available variations

| | |
|---|---|
| Kova / Without upholstery | • |
| Istuin verhoiltu / Seat upholstered | • |
| Istuin ja selkäverhoiltu / Seat and back upholstered | |
| Ympäri verhoiltu / All-round upholstered | |
| Vaihtopäällinen / Removable cover | |
| Irtopäällinen / Loose cover | |
| Kromattu runko mahdollisuus / Option of chromed frame | • |
| Riviytkentä helalla / Linking with device | |
| Hela nro / Fitting no: | |
| Riviytkentä, oma runko / Integrated linking | |

| | Kpl/Pcs |
|--|---------|
| Pinottavuus, vapaana / Stackability, free standing | |
| Pinottavuus, riviytkettävänä / Stackability, linked | |
| Pinottavuus tuolivaunussa / Stackability in chair trolley | |
| Erikoistyöt vaunulle / Special manufacture for trolley: | |
| Etenemä pinossa, mm/tuoli / Advance when stacked, mm/chair | |
| Verhoillun etenemä pinossa / Upholstered, advance when stacked: | |
| Soveltuu vain tuolinkannattimeen / Suitability for chair brackets only | |
| Erikoistyöt tuolille / Special manufacture for chair: | |



Iris

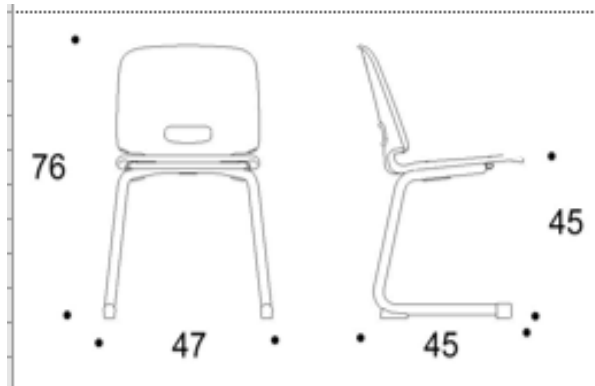
CHAIR WITH C-LEG | WOOD, L

Technical details of loop-legged chair with plastic, L-sized chair shell

The plastic shell is always equipped with the backrest opening to facilitate lifting the chair.

Make Your Decisions on

- the leg colour
 - powder-coated steel in ISKU Standard colours and chrome available
- the colour of the plastics chair shell
 - Red NCS S 2070-Y80R, Petrol NCS S 5020-B, Green NCS S 5020-B50G or Grey NCS S 5005-G80Y



| Mitat / Dimensions (cm) | Kova W/o uph. | Istuin - Seat msh. | Verh. Uph. |
|-------------------------------------|---------------------|-----------------------------|---------------|
| Leveys / Width | 47 | | |
| Syvyys / Depth | 45 | | |
| Korkeus / Height | 76 | | |
| Istumakorkeus / Sitting height | 44 | | |
| Istuimen korkeus / Seat height | 45 | | |
| Istumasyvyys / Sitting depth | 34 | | |
| Istuimen syvyys / Seat depth | 36 | | |
| Tilavuus / Volume (m ³) | 0,161 | | |
| Paino / Weight (kg) | 5 | | |

Pakkaustiedot / packing details:

| | | | |
|---------------------------------------|------------------------------|--|--|
| Leveys / Width | 56 | | |
| Syvyys / Depth | 59 | | |
| Korkeus / Height | 95 | | |
| Tilavuus / Volume (m ³) | 0,314 | | |
| Paino / Weight (kg) | 11,5 | | |
| Kolli / esine / Cll / item | 2 | | |
| Pakkausmateriaali Packing material | Ap-laatikko Cardboard box | | |

| Jalkatalla/Pad | Vakio Standard | Huopa Felt | Liukas Slide |
|-----------------------------------|-------------------------------------|-------------------------------------|-----------------|
| Koodi / Art.no. | <input checked="" type="checkbox"/> | <input checked="" type="checkbox"/> | |
| Lisshinta / Additional price | | | |
| Lisäkorotus / Additional increase | | | |
| Rivikytettä / Linking | | | |

Variatit / Available variations

| | |
|---|-------------------------------------|
| Kova / Without upholstery | <input checked="" type="checkbox"/> |
| Istuin verhoiltu / Seat upholstered | |
| Istuin ja selkäverhoiltu / Seat and back upholstered | |
| Ympäri verhoiltu / All-round upholstered | |
| Vaihtopöällinen / Removable cover | |
| Irtopöällinen / Loose cover | |
| Kromattu runko mahdollisuus / Option of chromed frame | <input checked="" type="checkbox"/> |
| Rivikytettä helalla / Linking with device | |
| Hela nro / Fitting no: | |
| Rivikytettä, oma runko / Integrated linking | |

| | |
|--|--|
| Pinottavuus, vapaana / Stackability, free standing | |
| Pinottavuus, rivikytettävänä / Stackability, linked | |
| Pinottavuus tuolivaunussa / Stackability in chair trolley | |
| Erikoistyöt vaunulle / Special manufacture for trolley: | |
| Etenemä pinossa, mm/tuoli / Advance when stacked, mm/chair | |
| Verhoillun etenemä pinossa / Upholstered, advance when stacked: | |
| Soveltuu vain tuolinkannattimeen / Suitability for chair brackets only | |
| Erikoistyöt tuolille / Special manufacture for chair: | |



HEIGHT-ADJUSTABLE CHAIRS

for ergonomic seating



Iris

HEIGHT-ADJUSTABLE CHAIR WITH CROSS-BASE | LOW

Design Petteri Häkkinen

Purposefully designed for comfort and practicality, the Iris Chair boasts an ergonomic backrest that encourages an ideal sitting position, ensuring a supportive experience for extended use. What sets this chair apart is its innovative feature – the ability to be easily hung from a table's edge. The chair, with an optional backrest opening, can be easily lifted.

The height-adjustable chair is an ergonomic choice.

Materials and finishing

Cross-base Black (plastic), white or polished aluminium. Available with castors or pads. Footrest as an accessory.

Chair shell Plastic (red, petrol, grey and green) or bent plywood veneered with ISKU standard laminate or veneer.

Seat upholstery Available with ISKU standard fabrics.

Dimensions

| | S-size, wood | L-size, wood | L-size, plastic |
|----------------|--------------|--------------|-----------------|
| Height | 640-790 mm | 710-860 mm | 710-860 mm |
| Depth | 600 mm | 600 mm | 600 mm |
| Width | 600 mm | 600 mm | 600 mm |
| Seating height | 370-500 mm | 370-500 mm | 370-500 mm |
| Seating depth | 350 mm | 360 mm | 360 mm |
| Seating width | 390 mm | 410 mm | 400 mm |



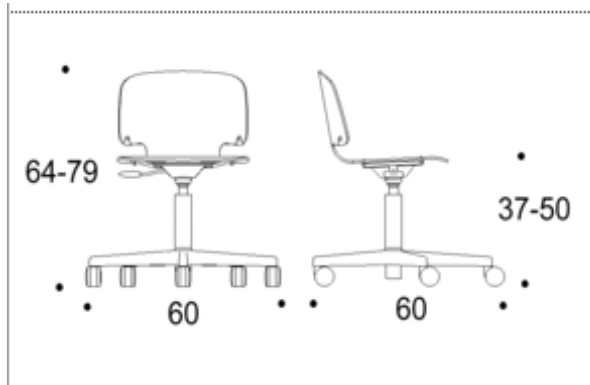
Iris

HEIGHT-ADJUSTABLE CHAIR | WOOD, S | LOW

Technical details of height-adjustable chair with wooden, S-sized chair shell and cross-base

Make Your Decisions on

- the cross-base
 - black (plastic), white or polished aluminium
 - castors or pads
 - footrest as an accessory
- the chair shell material
 - ISKU Standard Laminates available
 - ISKU Standard Veneers available
- the backrest opening (Yes/No)
- the seat upholstery (Yes/No)
 - ISKU Standard Fabrics available



| Mitat / Dimensions (cm) | Kova W/o uph. | Ist.verh. Seat uph. | Verh. Uph. |
|--------------------------------|---------------------|---------------------------|---------------|
| Leveys / Width | 60 | 60 | |
| Syvyys / Depth | 60 | 60 | |
| Korkeus / Height | 64 | 64 | |
| Istumakorkeus / Sitting height | 37-50 | 37-50 | |
| Istuimen korkeus / Seat height | 39-54 | 39-54 | |
| Istumasyvyys / Sitting depth | 33 | 33 | |
| Istuimen syvyys / Seat depth | 36 | 36 | |
| Tilavuus / Volume (m3) | 0,230 | 0,230 | |
| Paino / Weight (kg) | 5,1 | 5,2 | |

Pakkaustiedot / packing details:

| | | | |
|---------------------------------------|------------------------------|-------|--|
| Leveys / Width | 67 | 67 | |
| Syvyys / Depth | 67 | 67 | |
| Korkeus / Height | 87 | 87 | |
| Tilavuus / Volume (m3) | 0,391 | 0,391 | |
| Paino / Weight (kg) | 6,6 | 6,7 | |
| Kolli / esine Cll / item | 1 | 1 | |
| Pakkausmateriaali Packing material | Ap-laatikko Cardboard box | | |

| | | | |
|-----------------------------------|-------------------|---------------|-----------------|
| Jalkatalla/Pad | Vakio Standard | Huopa Felt | Liukas Slide |
| Koodi / Art.no. | | | |
| Lisähinta / Additional price | | | |
| Lisäkorotus / Additional increase | | | |
| Riviytkentä/ Linking | | | |

Variaatiot / Available variations

| | |
|---|--------------------------|
| Kova / Without upholstery | <input type="checkbox"/> |
| Istuin verhoiltu / Seat upholstered | <input type="checkbox"/> |
| Istuin ja selkäverhoiltu / Seat and back upholstered | <input type="checkbox"/> |
| Ympäri verhoiltu / All-round upholstered | <input type="checkbox"/> |
| Vaihtopäällinen / Removable cover | <input type="checkbox"/> |
| Irtopäällinen / Loose cover | <input type="checkbox"/> |
| Kromattu runko mahdollisuus / Option of chromed frame | <input type="checkbox"/> |
| Riviytkentä helalla / Linking with device | <input type="checkbox"/> |
| Hela nro / Fitting no: | |
| Riviytkentä, oma runko / Integrated linking | <input type="checkbox"/> |

| | Kpl/Pcs |
|--|---------|
| Pinottavuus, vapaana / Stackability, free standing | |
| Pinottavuus, riviytkettävänä / Stackability, linked | |
| Pinottavuus tuolivaunussa / Stackability in chair trolley | |
| Erikoistyöt vaunulle / Special manufacture for trolley: | |
| Etenemä pinossa, mm/tuoli / Advance when stacked, mm/chair | |
| Verhoillun etenemä pinossa / Upholstered, advance when stacked: | |
| Soveltuu vain tuolinkannattimeen / Suitability for chair brackets only | |
| Erikoistyöt tuolille / Special manufacture for chair: | |



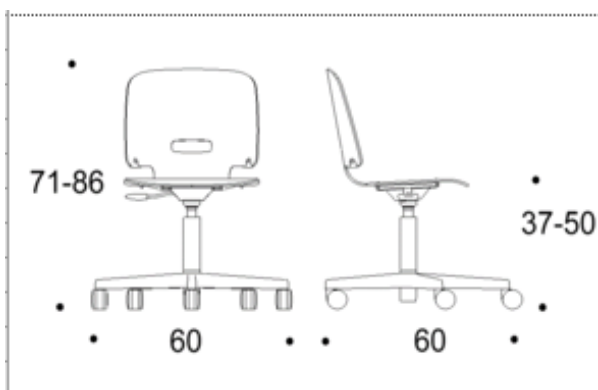
Iris

HEIGHT-ADJUSTABLE CHAIR | WOOD, L | LOW

Technical details of height-adjustable chair with wooden, L-sized chair shell and cross-base

Make Your Decisions on

- the cross-base
 - black (plastic), white or polished aluminium
 - castors or pads
 - footrest as an accessory
- the chair shell material
 - ISKU Standard Laminates available
 - ISKU Standard Veneers available
- the backrest opening (Yes/No)
- the seat upholstery (Yes/No)
 - ISKU Standard Fabrics available



| Mitat / Dimensions (cm) | Kova V/o uph. | Ist.verh. Seat uph. | Verh. Uph. |
|--------------------------------|---------------|---------------------|------------|
| Leveys / Width | 60 | 60 | |
| Syvyys / Depth | 60 | 60 | |
| Korkeus / Height | 71 | 71 | |
| Istumakorkeus / Sitting height | 37-50 | 37-50 | |
| Istuimen korkeus / Seat height | 39-54 | 39-54 | |
| Istumasyvyys / Sitting depth | 34 | 34 | |
| Istuimen syvyys / Seat depth | 36 | 36 | |
| Tilavuus / Volume (m3) | 0,256 | 0,256 | |
| Paino / Weight (kg) | 5,4 | 5,5 | |

Pakkaustiedot / packing details:

| | | |
|--------------------------------------|-----------------------------|-------|
| Leveys / Width | 67 | 67 |
| Syvyys / Depth | 67 | 67 |
| Korkeus / Height | 87 | 87 |
| Tilavuus / Volume (m3) | 0,391 | 0,391 |
| Paino / Weight (kg) | 6,9 | 7 |
| Kolli / esine CII / item | 1 | 1 |
| Pakkausmateriaali / Packing material | Ap-laatikko / Cardboard box | |

| | | | |
|-----------------------------------|----------------|------------|--------------|
| Jalkatalla/Pad | Vakio Standard | Huopa Felt | Liukas Slide |
| Koodi / Art.no. | | | |
| Lisähinta / Additional price | | | |
| Lisäkorotus / Additional increase | | | |

| | | | |
|----------------------|--|--|--|
| Riviytkentä/ Linking | | | |
|----------------------|--|--|--|

Variaatiot / Available variations

| | |
|---|---|
| Kova / Without upholstery | • |
| Istuin verhoiltu / Seat upholstered | • |
| Istuin ja selkäverhoiltu / Seat and back upholstered | |
| Ympäri verhoiltu / All-round upholstered | |
| Vaihtopäällinen / Removable cover | |
| Irtopäällinen / Loose cover | |
| Kromattu runko mahdollisuus / Option of chromed frame | • |
| Riviytkentä helalla / Linking with device | |
| Hela nro / Fitting no: | |
| Riviytkentä, oma runko / Integrated linking | |

| | |
|--|--|
| Pinottavuus, vapaana / Stackability, free standing | |
| Pinottavuus, riviytkettävänä / Stackability, linked | |
| Pinottavuus tuolivaunussa / Stackability in chair trolley | |
| Erikoistyöt vaunulle / Special manufacture for trolley: | |
| Etenemä pinossa, mm/tuoli / Advance when stacked, mm/chair | |
| Verhoillun etenemä pinossa / Upholstered, advance when stacked: | |
| Soveltuu vain tuolinkannattimeen / Suitability for chair brackets only | |
| Erikoistyöt tuolille / Special manufacture for chair: | |



Iris

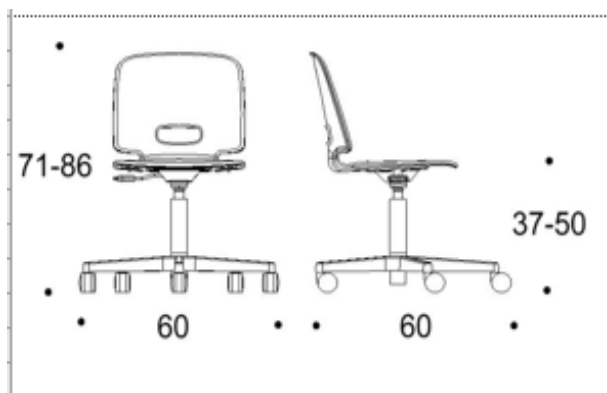
HEIGHT-ADJUSTABLE CHAIR | PLASTIC, L | LOW

Technical details of height-adjustable chair with plastic, L-sized chair shell and cross-base

The plastic shell is always equipped with the backrest opening to facilitate lifting the chair.

Make Your Decisions on

- the cross-base
 - black (plastic), white or polished aluminium
 - castors or pads
 - footrest as an accessory
- the colour of the plastics chair shell
 - Red NCS S 2070-Y80R, Petrol NCS S 5020-B, Green NCS S 5020-B50G or Grey NCS S 5005-G80Y



| Mitat / Dimensions (cm) | Kova w/o uph. | Ist.verh. Seat uph. | Verh. Uph. |
|--------------------------------|---------------------|---------------------------|---------------|
| Leveys / Width | 60 | 60 | |
| Syvyys / Depth | 60 | 60 | |
| Korkeus / Height | 71 | 71 | |
| Istumakorkeus / Sitting height | 37-50 | 37-50 | |
| Istuimen korkeus / Seat height | 39-54 | 39-54 | |
| Istumasyvyys / Sitting depth | 34 | 34 | |
| Istuimen syvyys / Seat depth | 36 | 36 | |
| Tilavuus / Volume (m3) | 0,256 | 0,256 | |
| Paino / Weight (kg) | 5,4 | 5,5 | |

Pakkaustiedot / packing details:

| | | |
|---------------------------------------|------------------------------|-------|
| Leveys / Width | 67 | 67 |
| Syvyys / Depth | 67 | 67 |
| Korkeus / Height | 87 | 87 |
| Tilavuus / Volume (m3) | 0,391 | 0,391 |
| Paino / Weight (kg) | 6,9 | 7 |
| Kolli / esine Cll / item | 1 | 1 |
| Pakkausmateriaali Packing material | Ap-laatikko Cardboard box | |

| | | | |
|-----------------------------------|-------------------|---------------|-----------------|
| Jalkatalla/Pad | Vakio Standard | Huopa Felt | Liukas Slide |
| Koodi / Art.no. | | | |
| Lisähinta / Additional price | | | |
| Lisäkorotus / Additional increase | | | |
| Riviytkentä/ Linking | | | |

Variaatiot / Available variations

| | |
|---|--|
| Kova / Without upholstery | |
| Istuin verhoiltu / Seat upholstered | |
| Istuin ja selkäverhoiltu / Seat and back upholstered | |
| Ympäri verhoiltu / All-round upholstered | |
| Vaihtopäällinen / Removable cover | |
| Irtopäällinen / Loose cover | |
| Kromattu runko mahdollisuus / Option of chromed frame | |
| Riviytkentä helalla / Linking with device | |
| Hela nro / Fitting no: | |
| Riviytkentä, oma runko / Integrated linking | |

| | |
|--|--|
| Pinottavuus, vapaana / Stack ability, free standing | |
| Pinottavuus, riviytkettävänä / Stackability, linked | |
| Pinottavuus tuolivaunussa / Stackability in chair trolley | |
| Erikoistyöt vaunulle / Special manufacture for trolley: | |
| Etenemä pinossa, mm/tuoli/ Advance when stacked, mm/chair | |
| Verhoillun etenemä pinossa / Upholstered, advance when stacked: | |
| Soveltuu vain tuolinkannattimeen / Suitability for chair brackets only | |
| Erikoistyöt tuolille / Special manufacture for chair: | |



Iris

HEIGHT-ADJUSTABLE CHAIR WITH CROSS-BASE | HIGH Design Petteri Häkkinen

Purposefully designed for comfort and practicality, the Iris Chair boasts an ergonomic backrest that encourages an ideal sitting position, ensuring a supportive experience for extended use. What sets this chair apart is its innovative feature – the ability to be easily hung from a table's edge. The chair, with an optional backrest opening, can be easily lifted.

The height-adjustable chair is an ergonomic choice.

Materials and finishing

Cross-base Black (plastic), white or polished aluminium. Available with castors or pads. Equipped with the footrest.

Chair shell Plastic (red, petrol, grey and green) or bent plywood veneered with ISKU standard laminate or veneer.

Seat upholstery Available with ISKU standard fabrics for wooden shells.

Dimensions

| | S-size, wood | L-size, wood | L-size, plastic |
|----------------|--------------|--------------|-----------------|
| Height | 710-910 mm | 780-980 mm | 780-980 mm |
| Depth | 600 mm | 600 mm | 600 mm |
| Width | 600 mm | 600 mm | 600 mm |
| Seating height | 430-630 mm | 430-630 mm | 430-630 mm |
| Seating depth | 350 mm | 360 mm | 360 mm |
| Seating width | 390 mm | 410 mm | 400 mm |



L-size / Plastic

L-size / Wood

S-size / Wood

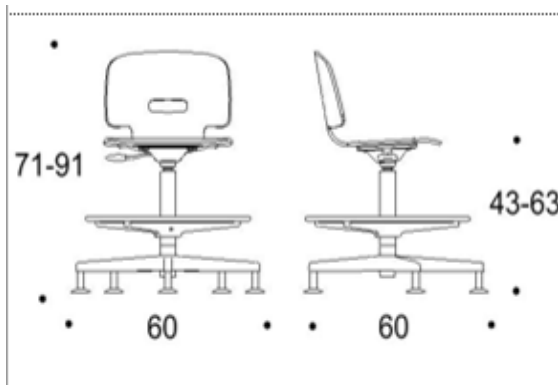
Iris

HEIGHT-ADJUSTABLE CHAIR | WOOD, S | HIGH

Technical details of height-adjustable chair with wooden, S-sized chair shell and cross-base

Make Your Decisions on

- the cross-base with a footrest
 - black (plastic), white or polished aluminium
 - castors or pads
- the chair shell material
 - ISKU Standard Laminates available
 - ISKU Standard Veneers available
- the backrest opening (Yes/No)
- the seat upholstery (Yes/No)
 - ISKU Standard Fabrics available



| Mitat / Dimensions (cm) | Kova W/o uph. | Ist.verh. Seat uph. | Verh. Uph. | Kpl/Pcs |
|--------------------------------|---------------------|---------------------------|---------------|---------|
| Leveys / Width | 60 | 60 | | |
| Syvyys / Depth | 60 | 60 | | |
| Korkeus / Height | 71 | 71 | | |
| Istumakorkeus / Sitting height | 41-60 | 41-60 | | |
| Istuimen korkeus / Seat height | 43-63 | 43-63 | | |
| Istumasyvyys / Sitting depth | 33 | 33 | | |
| Istuimen syvyys / Seat depth | 35 | 35 | | |
| Tilavuus / Volume (m3) | 0,256 | 0,256 | | |
| Paino / Weight (kg) | 6,6 | 6,7 | | |

Pakkaustiedot / packing details:

| | | | | |
|---------------------------------------|------------------------------|-------|--|--|
| Leveys / Width | 67 | 67 | | |
| Syvyys / Depth | 67 | 67 | | |
| Korkeus / Height | 86 | 86 | | |
| Tilavuus / Volume (m3) | 0,386 | 0,386 | | |
| Paino / Weight (kg) | 8,1 | 8,2 | | |
| Kolli /esine Cll / item | 1 | 1 | | |
| Pakkausmateriaali Packing material | Ap-laatikko Cardboard box | | | |

| | | | | |
|-----------------------------------|-------------------|---------------|-----------------|--|
| Jalkatalla/Pad | Vakio Standard | Huopa Felt | Liukas Slide | |
| Koodi / Art.no. | | | | |
| Lisähinta / Additional price | | | | |
| Lisäkorotus / Additional increase | | | | |
| Riviytkentä/ Linking | | | | |

Variaatiot / Available variations

| | |
|---|---|
| Kova / Without upholstery | • |
| Istuin verhoiltu / Seat upholstered | • |
| Istuin ja selkäverhoiltu / Seat and back upholstered | |
| Ympäri verhoiltu / All-round upholstered | |
| Vaihtopäällinen / Removable cover | |
| Irtopäällinen / Loose cover | |
| Kromattu runko mahdollisuus / Option of chromed frame | |
| Riviytkentä helalla / Linking with device | |
| Hela no / Fitting no: | |
| Riviytkentä, oma runko / Integrated linking | |

| | |
|--|--|
| Pinottavuus, vapaana / Stackability, free standing | |
| Pinottavuus, riviytkettävänä / Stackability, linked | |
| Pinottavuus tuolivaunussa / Stackability in chair trolley | |
| Erikoistyöt vaunulle / Special manufacture for trolley: | |
| Etenemä pinossa, mm/tuoli/ Advance when stacked, mm/chair | |
| Verhoillun etenemä pinossa / Upholstered, advance when stacked: | |
| Soveltuu vain tuolinkannattimeen / Suitability for chair brackets only | |
| Erikoistyöt tuolille / Special manufacture for chair: | |



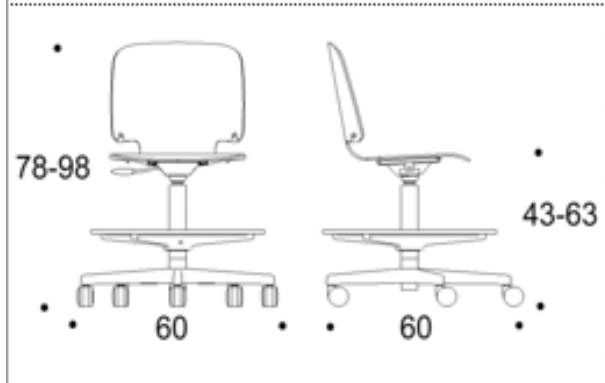
Iris

HEIGHT-ADJUSTABLE CHAIR | WOOD, L | HIGH

Technical details of height-adjustable chair with wooden, L-shaped chair shell and cross-base

Make Your Decisions on

- the cross-base with a footrest
 - black (plastic), white or polished aluminium
 - castors or pads
- the chair shell material
 - ISKU Standard Laminates available
 - ISKU Standard Veneers available
- the backrest opening (Yes/No)
- the seat upholstery (Yes/No)
 - ISKU Standard Fabrics available



| Mitat / Dimensions (cm) | Kova W/o uph. | Istuin - Seat uph. | Verh. Uph. |
|-------------------------------------|---------------------|-----------------------------|---------------|
| Leveys / Width | 60 | 60 | |
| Syvyys / Depth | 60 | 60 | |
| Korkeus / Height | 78 | 78 | |
| Istumakorkeus / Sitting height | 41-60 | 41-60 | |
| Istuimen korkeus / Seat height | 43-63 | 43-63 | |
| Istumasyvyys / Sitting depth | 34 | 34 | |
| Istuimen syvyys / Seat depth | 36 | 36 | |
| Tilavuus / Volume (m ³) | 0,281 | 0,281 | |
| Paino / Weight (kg) | 6,8 | 6,9 | |

Pakkaustiedot / packing details:

| | | | |
|---------------------------------------|------------------------------|-------|--|
| Leveys / Width | 67 | 67 | |
| Syvyys / Depth | 67 | 67 | |
| Korkeus / Height | 86 | 86 | |
| Tilavuus / Volume (m ³) | 0,386 | 0,386 | |
| Paino / Weight (kg) | 8,3 | 8,4 | |
| Kolli / esine Cll / Item | 1 | 1 | |
| Pakkausmateriaali Packing material | Ap-laatikko Cardboard box | | |

| | | | |
|-----------------------------------|-------------------|---------------|-----------------|
| Jalkatalla/Pad | Vakio Standard | Huopa Felt | Liukas Slide |
| Koodi / Art.no. | | | |
| Lisähinta / Additional price | | | |
| Lisäkorotus / Additional increase | | | |
| Riviytkentä/ Linking | | | |

Vaihto- / Available variations

| | |
|---|--------------------------|
| Kova / Without upholstery | <input type="checkbox"/> |
| Istuin verhoiltu / Seat upholstered | <input type="checkbox"/> |
| Istuin ja selkäverhoiltu / Seat and back upholstered | <input type="checkbox"/> |
| Ympäri verhoiltu / All-round upholstered | <input type="checkbox"/> |
| Vaihtopöytälinen / Removable cover | <input type="checkbox"/> |
| Irtopöytälinen / Loose cover | <input type="checkbox"/> |
| Kromattu runko mahdollisuus / Option of chromed frame | <input type="checkbox"/> |
| Riviytkentä helalla / Linking with device | <input type="checkbox"/> |
| Hela nro / Fitting no: | |
| Riviytkentä, oma runko / Integrated linking | <input type="checkbox"/> |

| | Kpl/Pcs |
|--|---------|
| Pinottavuus, vapaana / Stackability, free standing | |
| Pinottavuus, riviytkettävänä / Stackability, linked | |
| Pinottavuus tuolivaunussa / Stackability in chair trolley | |
| Erikoistyöt vaunulle / Special manufacture for trolley: | |
| Etenemä pinossa, mm/tuoli/ Advance when stacked, mm/chair | |
| Verhoillun etenemä pinossa / Upholstered, advance when stacked: | |
| Soveltuu vain tuolinkannattimeen / Suitability for chair brackets only | |
| Erikoistyöt tuolille / Special manufacture for chair: | |



Iris

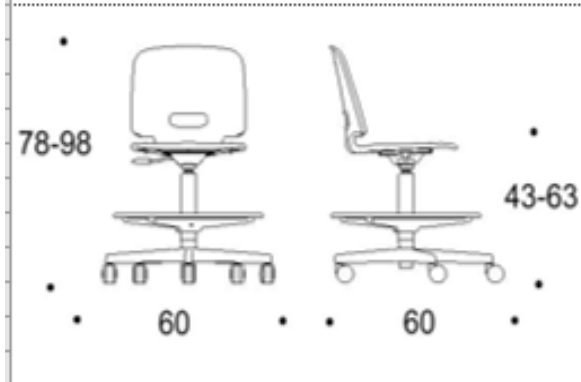
HEIGHT-ADJUSTABLE CHAIR | PLASTIC, L | HIGH

Technical details of height-adjustable chair with plastic, L-sized chair shell and cross-base

The plastic shell is always equipped with the backrest opening to facilitate lifting the chair.

Make Your Decisions on

- the cross-base with a footrest
 - black (plastic), white or polished aluminium
 - castors or pads
- the colour of the plastics chair shell
 - Red NCS S 2070-Y80R, Petrol NCS S 5020-B, Green NCS S 5020-B50G or Grey NCS S 5005-G80Y



| Mitat / Dimensions (cm) | Kova w/o uph. | ISTUIMEN - Seat mm/h | Verh. Upk. |
|--------------------------------|---------------------|-------------------------------|---------------|
| Leveys / Width | 60 | 60 | |
| Syvyys / Depth | 60 | 60 | |
| Korkeus / Height | 78 | 78 | |
| Istumakorkeus / Sitting height | 41-60 | 41-60 | |
| Istuimen korkeus / Seat height | 43-63 | 43-63 | |
| Istumasyvyys / Sitting depth | 34 | 34 | |
| Istuimen syvyys / Seat depth | 36 | 36 | |
| Tilavuus / Volume (m3) | 0,281 | 0,281 | |
| Paino / Weight (kg) | 6,8 | 6,9 | |

Pakkaustiedot / packing details:

| | | |
|---------------------------------------|------------------------------|-------|
| Leveys / Width | 67 | 67 |
| Syvyys / Depth | 67 | 67 |
| Korkeus / Height | 86 | 86 |
| Tilavuus / Volume (m3) | 0,386 | 0,386 |
| Paino / Weight (kg) | 8,3 | 8,4 |
| Kolli / esine Cll / item | 1 | 1 |
| Pakkausmateriaali Packing material | Ap-laatikko Cardboard box | |

| | | | |
|-----------------------------------|-------------------|---------------|-----------------|
| Jalkatalla/Pad | Valko Standard | Huopa Felt | Liukas Slide |
| Koodi / Art.no. | | | |
| Lisähinta / Additional price | | | |
| Lisäkorotus / Additional increase | | | |
| Riviyhteyttä / Linking | | | |

Vaihto- / Available variations

| | |
|---|--------------------------|
| Kova / Without upholstery | <input type="checkbox"/> |
| Istuin verhoiltu / Seat upholstered | <input type="checkbox"/> |
| Istuin ja selkäverhoiltu / Seat and back upholstered | <input type="checkbox"/> |
| Ympäri verhoiltu / All-round upholstered | <input type="checkbox"/> |
| Vaihtopöällinen / Removable cover | <input type="checkbox"/> |
| Irtopöällinen / Loose cover | <input type="checkbox"/> |
| Kromattu runko mahdollisuus / Option of chromed frame | <input type="checkbox"/> |
| Riviyhteyttä helalla / Linking with device | <input type="checkbox"/> |
| Helä nro / Fitting no: | |
| Riviyhteyttä, oma runko / Integrated linking | <input type="checkbox"/> |

| | Kpl/Pcs |
|--|---------|
| Pinottavuus, vapaana / Stackability, free standing | |
| Pinottavuus, riviyhteyttävänä / Stackability, linked | |
| Pinottavuus tuolivaunussa / Stackability in chair trolley | |
| Erikoistyöt vaunulle / Special manufacture for trolley: | |
| Etenemä pinossa, mm/tuoli / Advance when stacked, mm/chair | |
| Verhoillun etenemä pinossa / Upholstered, advance when stacked: | |
| Soveltuu vain tuolinkannattimeen / Suitability for chair brackets only | |
| Erikoistyöt tuolille / Special manufacture for chair: | |



HEIGHTENED SEATING

designed for educational settings



Iris

4-LEG CHAIR, HIGHTENED (500 mm) WITH FOOTREST

Design Petteri Häkkinen

The heightened 4-leg chair with a footrest is designed with smaller students in mind. Thus, it's a perfect choice for primary classes and KGs.

Purposefully designed for comfort and practicality, the Iris Chair boasts an ergonomic backrest that encourages an ideal sitting position, ensuring a supportive experience for extended use. What sets this chair apart is its innovative feature – the ability to be easily hung from a table's edge. The chair, with an optional backrest opening, can be easily lifted.

Materials and finishing

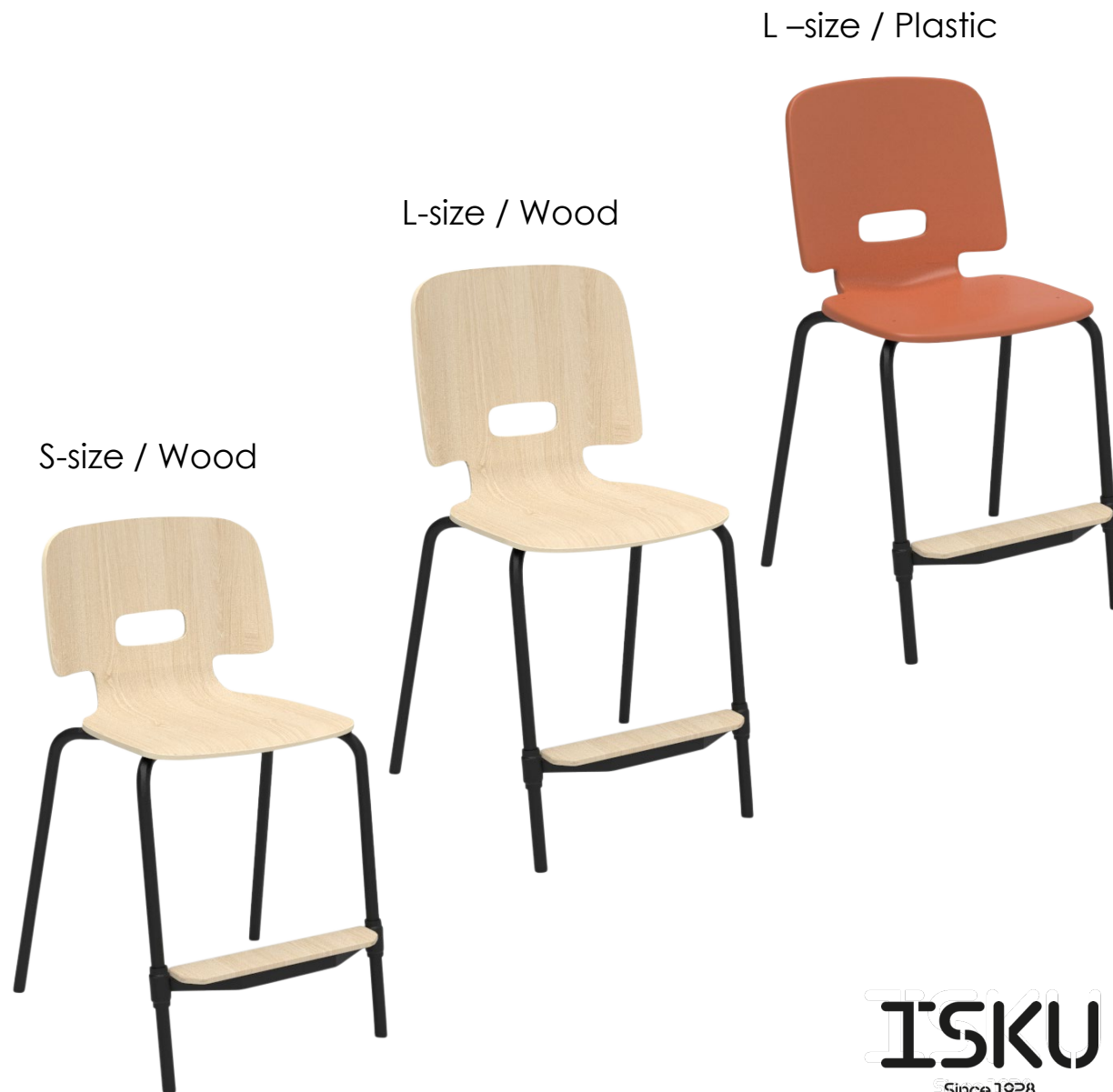
Legs Powder-coated steel in ISKU standard colours / chrome.
Wooden footrest.

Chair shell Plastic (red, petrol, grey and green) or bent plywood veneered with ISKU standard laminate or veneer.

Seat upholstery Available with ISKU standard fabrics for wooden shells.

Dimensions

| | S-size, wood | L-size, wood | L-size, plastic |
|----------------|--------------|--------------|-----------------|
| Height | 770 mm | 850 mm | 840 mm |
| Depth | 480 mm | 480 mm | 480 mm |
| Width | 490 mm | 490 mm | 490 mm |
| Seating height | 500 mm | 500 mm | 500 mm |
| Seating depth | 350 mm | 360 mm | 360 mm |
| Seating width | 390 mm | 410 mm | 400 mm |



Iris

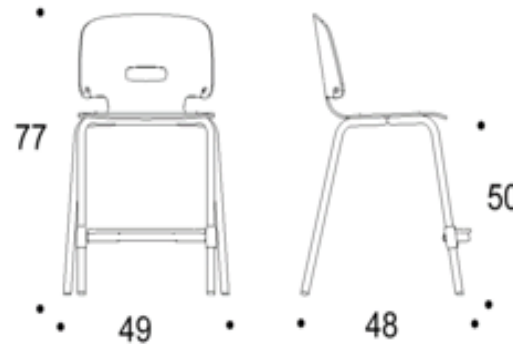
4-LEG CHAIR, HEIGHTENED | 50, WOOD, S

Technical details of heightened 4-leg chair (500 mm) with wooden, S-sized chair shell

The chair is equipped with a footrest for added comfort.

Make Your Decisions on

- the leg colour
 - powder-coated steel in ISKU Standard colours and chrome available
- the chair shell material
 - ISKU Standard Laminates available
 - ISKU Standard Veneers available
- the backrest opening (Yes/No)
- the seat upholstery (Yes/No)
 - ISKU Standard Fabrics available



| Mitat / Dimensions (cm) | Kova w/o uph. | Istuin - Seat mm | Verh. Upk. |
|-------------------------------------|---------------------|---------------------------|---------------|
| Leveys / Width | 49 | 49 | |
| Syvyys / Depth | 48 | 48 | |
| Korkeus / Height | 77 | 77 | |
| Istumakorkeus / Sitting height | 15-40 | 15-40 | |
| Istuimen korkeus / Seat height | 50 | 50 | |
| Istumasyvyys / Sitting depth | 33 | 33 | |
| Istuimen syvyys / Seat depth | 35 | 35 | |
| Tilavuus / Volume (m ³) | 0,161 | 0,161 | |
| Paino / Weight (kg) | 5,7 | 5,8 | |

Pakkaustiedot / packing details:

| | | | |
|---------------------------------------|------------------------------|-------|--|
| Leveys / Width | 56 | 56 | |
| Syvyys / Depth | 59 | 59 | |
| Korkeus / Height | 95 | 95 | |
| Tilavuus / Volume (m ³) | 0,314 | 0,314 | |
| Paino / Weight (kg) | 7,2 | 7,3 | |
| Kolli / esine Cll / item | 1 | 1 | |
| Pakkausmateriaali Packing material | Ap-laatikko Cardboard box | | |

| Jalkatalla/Pad | Valko Standard | Huopa Felt | Liukas Slide |
|-----------------------------------|-------------------|---------------|-----------------|
| Koodi / Art.no. | • | • | |
| Lisähinta / Additional price | | | |
| Lisäkorotus / Additional increase | | | |
| Rivikytkeä / Linking | | | |

Variatit / Available variations

| | |
|---|---|
| Kova / Without upholstery | • |
| Istuin verhoiltu / Seat upholstered | • |
| Istuin ja selkäverhoiltu / Seat and back upholstered | |
| Ympäri verhoiltu / All-round upholstered | |
| Vaihtopäällinen / Removable cover | |
| Irtopäällinen / Loose cover | |
| Kromattu runko mahdollisuus / Option of chromed frame | • |
| Rivikytkeä helalla / Linking with device | |
| Hela no / Fitting no: | |
| Rivikytkeä, oma runko / Integrated linking | |

| | |
|--|--|
| Pinottavuus, vapaana / Stackability, free standing | |
| Pinottavuus, rivikytettävänä / Stackability, linked | |
| Pinottavuus tuolivaunussa / Stackability in chair trolley | |
| Erikoistyöt vaunulle / Special manufacture for trolley: | |
| Etenemä pinossa, mm/tuoli / Advance when stacked, mm/chair | |
| Verhoillun etenemä pinossa / Upholstered, advance when stacked: | |
| Soveltuu vain tuolinkannattimeen / Suitability for chair brackets only | |
| Erikoistyöt tuolille / Special manufacture for chair: | |



Iris

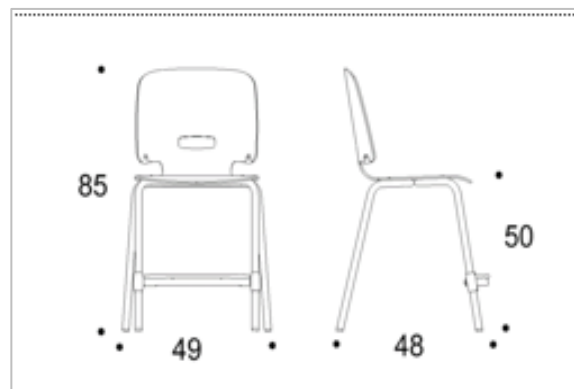
4-LEG CHAIR, HEIGHTENED | 50, WOOD, L

Technical details of heightened 4-leg chair (500 mm) with wooden, L-shaped chair shell

The chair is equipped with a footrest for added comfort.

Make Your Decisions on

- the leg colour
 - powder-coated steel in ISKU Standard colours and chrome available
- the chair shell material
 - ISKU Standard Laminates available
 - ISKU Standard Veneers available
- the backrest opening (Yes/No)
- the seat upholstery (Yes/No)
 - ISKU Standard Fabrics available



| Mitat / Dimensions (cm) | Kova W/o uph. | ISKUTUOLIA - Seat uph. | Verh. Uph. |
|-------------------------------------|---------------------|---------------------------------|---------------|
| Leveys / Width | 49 | 49 | |
| Syvyys / Depth | 48 | 48 | |
| Korkeus / Height | 85 | 85 | |
| Istumakorkeus / Sitting height | 15-40 | 15-40 | |
| Istuimen korkeus / Seat height | 50 | 50 | |
| Istumasyvyys / Sitting depth | 34 | 34 | |
| Istuimen syvyys / Seat depth | 36 | 36 | |
| Tilavuus / Volume (m ³) | 0,200 | 0,200 | |
| Paino / Weight (kg) | 6 | 6,1 | |

Pakkaustiedot / packing details:

| | | |
|---------------------------------------|------------------------------|-------|
| Leveys / Width | 56 | 56 |
| Syvyys / Depth | 59 | 59 |
| Korkeus / Height | 95 | 95 |
| Tilavuus / Volume (m ³) | 0,314 | 0,314 |
| Paino / Weight (kg) | 7,5 | 7,6 |
| Kolli / esine CII / item | 1 | 1 |
| Pakkausmateriaali Packing material | Ap-laatikko Cardboard box | |

| Jalkatalla/Pad | Vakio Standard | Huopa Felt | Liukas Slide |
|-----------------------------------|-------------------|---------------|-----------------|
| Koodi / Art.no. | ● | ● | |
| Lisshinta / Additional price | | | |
| Lisäkorotus / Additional increase | | | |
| Riviytkentä/ Linking | | | |

Variatit / Available variations

| | |
|---|---|
| Kova / Without upholstery | ● |
| Istuin verhoiltu / Seat upholstered | ● |
| Istuin ja selkiverhoiltu / Seat and back upholstered | |
| Ympäri verhoiltu / All-round upholstered | |
| Vaihtopöällinen / Removable cover | |
| Irtopöällinen / Loose cover | |
| Kromattu runko mahdollisuus / Option of chromed frame | ● |
| Riviytkentä helalla / Linking with device | |
| Hela nro / Fitting no: | |
| Riviytkentä, oma runko / Integrated linking | |

| | Kpl/Pcs |
|---|---------|
| Pinottavuus, vapaana / Stackability, free standing | |
| Pinottavuus, riviytkettävänä / Stackability, linked | |
| Pinottavuus tuolivaunussa / Stackability in chair trolley | |
| Erikoistyöt vaunulle / Special manufacture for trolley: | |
| Etenemä pinossa, mm/tuoli/ Advance when stacked, mm/chair | |
| Verhoillun etenemä pinossa / Upholstered, advance when stacked: | |
| Soveluu vain tuolinkannattimeen / Suitability for chair brackets only | |
| Erikoistyöt tuolille / Special manufacture for chair: | |



Iris

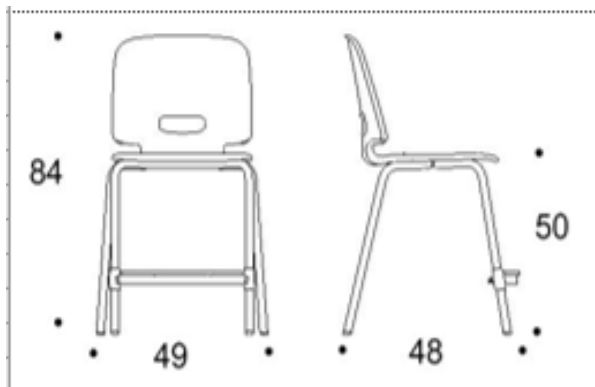
4-LEG CHAIR, HEIGHTENED | 50, PLASTIC, L

Technical details of heightened 4-leg chair (500 mm) with wooden, L-shaped chair shell

The chair is equipped with a footrest for added comfort.

Make Your Decisions on

- the leg colour
 - powder-coated steel in ISKU Standard colours and chrome available
- the colour of the plastics chair shell
 - Red NCS S 2070-Y80R, Petrol NCS S 5020-B, Green NCS S 5020-B50G or Grey NCS S 5005-G80Y



| Mitat / Dimensions (cm) | Kova w/o uph. | ISKUTYÖ - Seat mmh. | Verh. Uph. |
|-------------------------------------|---------------------|------------------------------|---------------|
| Leveys / Width | 49 | 49 | |
| Syvyys / Depth | 48 | 48 | |
| Korkeus / Height | 84 | 84 | |
| Istumakorkeus / Sitting height | 20-44 | 20-44 | |
| Istuimen korkeus / Seat height | 50 | 50 | |
| Istumasyvyys / Sitting depth | 34 | 34 | |
| Istuimen syvyys / Seat depth | 36 | 36 | |
| Tilavuus / Volume (m ³) | 0,198 | 0,198 | |
| Paino / Weight (kg) | 6 | 6,1 | |

Pakkaustiedot / packing details:

| | | |
|-------------------------------------|-------|-------|
| Leveys / Width | 56 | 56 |
| Syvyys / Depth | 59 | 59 |
| Korkeus / Height | 95 | 95 |
| Tilavuus / Volume (m ³) | 0,314 | 0,314 |
| Paino / Weight (kg) | 7,5 | 7,6 |
| Kolli / esine CII / item | 1 | 1 |

| | |
|---------------------------------------|------------------------------|
| Pakkausmateriaali Packing material | Ap-laatikko Cardboard box |
|---------------------------------------|------------------------------|

| Jalkatalla/Pad | Vakio Standard | Huopa Felt | Liukas Slide |
|-----------------------------------|-------------------|---------------|-----------------|
| Koodi / Art.no. | ● | ● | |
| Lisähinta / Additional price | | | |
| Lisäkorotus / Additional increase | | | |
| Riviyhteyttä / Linking | | | |

Vaihto- / Available variations

| | |
|---|---|
| Kova / Without upholstery | ● |
| Istuin verhoiltu / Seat upholstered | |
| Istuin ja selkäverhoiltu / Seat and back upholstered | |
| Ympäri verhoiltu / All-round upholstered | |
| Vaihtopöytälinen / Removable cover | |
| Irtopöytälinen / Loose cover | |
| Kromattu runko mahdollisuus / Option of chromed frame | ● |
| Riviyhteyttä heljällä / Linking with device | |
| Helin nro / Fitting no: | |
| Riviyhteyttä, oma runko / Integrated linking | |

| | Kpl/Pcs |
|--|---------|
| Pinottavuus, vapaana / Stackability, free standing | |
| Pinottavuus, riviyhteyttä / Stackability, linked | |
| Pinottavuus tuolivaunussa / Stackability in chair trolley | |
| Erikoistyöt vaunulle / Special manufacture for trolley: | |
| Etenemä pinossa, mm/tuoli / Advance when stacked, mm/chair | |
| Verhoillun etenemä pinossa / Upholstered, advance when stacked: | |
| Soveltuu vain tuolinkannattimeen / Suitability for chair brackets only | |
| Erikoistyöt tuolille / Special manufacture for chair: | |



Iris

4-LEG CHAIR, HIGHTENED (650 mm) WITH FOOTREST

Design Petteri Häkkinen

The heightened 4-leg chair with a footrest is designed with smaller students in mind. Thus, it's a perfect choice for primary classes and KGs.

Purposefully designed for comfort and practicality, the Iris Chair boasts an ergonomic backrest that encourages an ideal sitting position, ensuring a supportive experience for extended use. What sets this chair apart is its innovative feature – the ability to be easily hung from a table's edge. The chair, with an optional backrest opening, can be easily lifted.

Materials and finishing

Legs Powder-coated steel in ISKU standard colours / chrome.
Wooden footrest.

Chair shell Plastic (red, petrol, grey and green) or bent plywood veneered with ISKU standard laminate or veneer.

Seat upholstery Available with ISKU standard fabrics for wooden shells.

Dimensions

| | S-size, wood | L-size, wood | L-size, plastic |
|----------------|--------------|--------------|-----------------|
| Height | 920 mm | 1000 mm | 990 mm |
| Depth | 500 mm | 500 mm | 500 mm |
| Width | 490 mm | 490 mm | 490 mm |
| Seating height | 650 mm | 650 mm | 650 mm |
| Seating depth | 350 mm | 360 mm | 360 mm |
| Seating width | 390 mm | 410 mm | 400 mm |



Iris

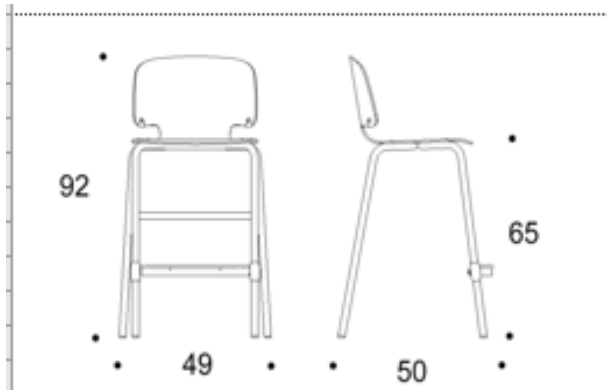
4-LEG CHAIR, HEIGHTENED | 65, WOOD, S

Technical details of heightened 4-leg chair (650 mm) with wooden, S-sized chair shell

The chair is equipped with a footrest for added comfort.

Make Your Decisions on

- the leg colour
 - powder-coated steel in ISKU Standard colours and chrome available
- the chair shell material
 - ISKU Standard Laminates available
 - ISKU Standard Veneers available
- the backrest opening (Yes/No)
- the seat upholstery (Yes/No)
 - ISKU Standard Fabrics available



| Mitat / Dimensions (cm) | Kova w/o uph. | Istuin - Seat | Verh. Uph. |
|--------------------------------|---------------|---------------|------------|
| Leveys / Width | 49 | 49 | |
| Syvyys / Depth | 50 | 50 | |
| Korkeus / Height | 92 | 92 | |
| Istumakorkeus / Sitting height | 22-60 | 22-60 | |
| Istuimen korkeus / Seat height | 65 | 65 | |
| Istumasyvyys / Sitting depth | 33 | 33 | |
| Istuimen syvyys / Seat depth | 35 | 35 | |
| Tilavuus / Volume (m3) | 0,225 | 0,225 | |
| Paino / Weight (kg) | 6,2 | 6,3 | |

Pakkaustiedot / packing details:

| | | | |
|--------------------------------------|-----------------------------|-------|--|
| Leveys / Width | 55 | 55 | |
| Syvyys / Depth | 58 | 58 | |
| Korkeus / Height | 96 | 96 | |
| Tilavuus / Volume (m3) | 0,306 | 0,306 | |
| Paino / Weight (kg) | 7,7 | 7,8 | |
| Kolli / esine Cll / item | 1 | 1 | |
| Pakkausmateriaali / Packing material | Ap-laatikko / Cardboard box | | |

| | | | |
|-----------------------------------|----------------|------------|--------------|
| Jalkatalla/Pad | Vakio Standard | Huopa Felt | Liukas Slide |
| Koodi / Art.no. | ● | ● | |
| Lisähinta / Additional price | | | |
| Lisäkorotus / Additional increase | | | |
| Riviytkentä/ Linking | | | |

Vaihto- / Available variations

| | |
|---|---|
| Kova / Without upholstery | ● |
| Istuin verhoiltu / Seat upholstered | ● |
| Istuin ja selkäverhoiltu / Seat and back upholstered | |
| Ympäri verhoiltu / All-round upholstered | |
| Vaihtopöällinen / Removable cover | |
| Irtopöällinen / Loose cover | |
| Kromattu runko mahdollisuus / Option of chromed frame | ● |
| Riviytkentä helalla / Linking with device | |
| Hela nro / Fitting no: | |
| Riviytkentä, oma runko / Integrated linking | |

| | |
|--|--|
| Pinottavuus, vapaana / Stackability, free standing | |
| Pinottavuus, riviytkettävänä / Stackability, linked | |
| Pinottavuus tuolivaunussa / Stackability in chair trolley | |
| Erikoistyöt vaunulle / Special manufacture for trolley: | |
| Etenemä pinossa, mm/tuoli/ Advance when stacked, mm/chair | |
| Verhoillun etenemä pinossa / Upholstered, advance when stacked: | |
| Soveltuu vain tuolinkannattimeen / Suitability for chair brackets only | |
| Erikoistyöt tuolille / Special manufacture for chair: | |



Iris

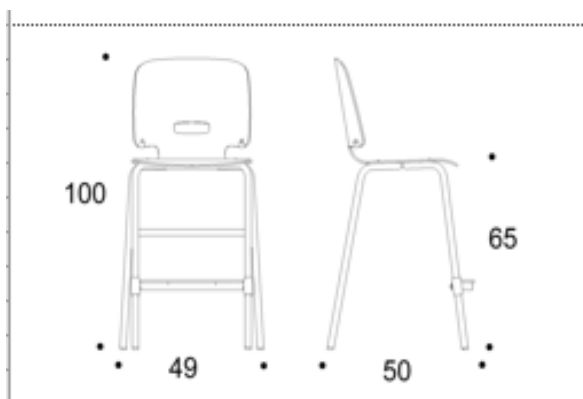
4-LEG CHAIR, HEIGHTENED | 65, WOOD, L

Technical details of heightened 4-leg chair (650 mm) with wooden, L-sized chair shell

The chair is equipped with a footrest for added comfort.

Make Your Decisions on

- the leg colour
 - powder-coated steel in ISKU Standard colours and chrome available
- the chair shell material
 - ISKU Standard Laminates available
 - ISKU Standard Veneers available
- the backrest opening (Yes/No)
- the seat upholstery (Yes/No)
 - ISKU Standard Fabrics available



| Mitat / Dimensions (cm) | Kova w/o uph. | ISTUIMEN - Seat uph. | Verh. Uph. |
|-------------------------------------|---------------------|-------------------------------|---------------|
| Leveys / Width | 49 | 49 | |
| Syvyys / Depth | 50 | 50 | |
| Korkeus / Height | 100 | 100 | |
| Istumakorkeus / Sitting height | 15-55 | 15-55 | |
| Istuimen korkeus / Seat height | 65 | 65 | |
| Istumasyvyys / Sitting depth | 34 | 34 | |
| Istuimen syvyys / Seat depth | 36 | 36 | |
| Tilavuus / Volume (m ³) | 0,245 | 0,245 | |
| Paino / Weight (kg) | 6,3 | 6,4 | |

Pakkaustiedot / packing details:

| | | |
|-------------------------------------|-------|-------|
| Leveys / Width | 57 | 57 |
| Syvyys / Depth | 66 | 66 |
| Korkeus / Height | 110 | 110 |
| Tilavuus / Volume (m ³) | 0,414 | 0,414 |
| Paino / Weight (kg) | 7,8 | 7,9 |
| Kolli / esine / Cl / item | 1 | 1 |

| | | | |
|---------------------------------------|------------------------------|--|--|
| Pakkausmateriaali Packing material | Ap-laatikko Cardboard box | | |
|---------------------------------------|------------------------------|--|--|

| Jalkatalla/Pad | Vakio Standard | Huopa Felt | Liukas Slide |
|-----------------------------------|-------------------|---------------|-----------------|
| Koodi / Art.no. | • | • | |
| Lisähinta / Additional price | | | |
| Lisäkorotus / Additional increase | | | |
| Rivikytettä/ Linking | | | |

Vaihto- / Available variations

| | |
|---|---|
| Kova / Without upholstery | • |
| Istuin verhoiltu / Seat upholstered | • |
| Istuin ja selkäverhoiltu / Seat and back upholstered | |
| Ympäri verhoiltu / All-round upholstered | |
| Vaihtopöytälinen / Removable cover | |
| Irttopöytälinen / Loose cover | |
| Kromattu runko mahdollisuus / Option of chromed frame | • |
| Rivikytettä helillä / Linking with device | |
| Hela nro / Fitting no: | |
| Rivikytettä, oma runko / Integrated linking | |

| | |
|--|--|
| Pinottavuus, vapaana / Stackability, free standing | |
| Pinottavuus, rivikytettävänä / Stackability, linked | |
| Pinottavuus tuolivaunussa / Stackability in chair trolley | |
| Erikoistyöt vaunulle / Special manufacture for trolley: | |
| Etenemä pinossa, mm/tuoli / Advance when stacked, mm/chair | |
| Verhoillun etenemä pinossa / Upholstered, advance when stacked: | |
| Soveltuu vain tuolinkannattimeen / Suitability for chair brackets only | |
| Erikoistyöt tuolille / Special manufacture for chair: | |



Iris

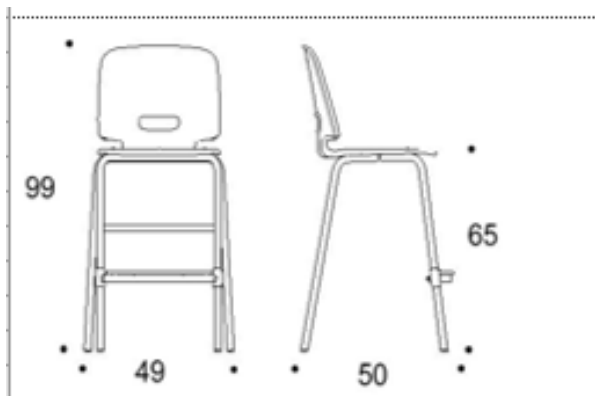
4-LEG CHAIR, HEIGHTENED | 65, PLASTIC, L

Technical details of heightened 4-leg chair (650 mm) with wooden, L-shaped chair shell

The chair is equipped with a footrest for added comfort.

Make Your Decisions on

- the leg colour
 - powder-coated steel in ISKU Standard colours and chrome available
- the colour of the plastics chair shell
 - Red NCS S 2070-Y80R, Petrol NCS S 5020-B, Green NCS S 5020-B50G or Grey NCS S 5005-G80Y



| Mitat / Dimensions (cm) | Kova w/o uph. | ISKU - Seat uph. | Verh. Upk. | Kpl/Pcs |
|-------------------------------------|---------------------|---------------------------|---------------|---------|
| Leveys / Width | 49 | | | |
| Syvyys / Depth | 50 | | | |
| Korkeus / Height | 99 | | | |
| Istumakorkeus / Sitting height | 20-60 | | | |
| Istuimen korkeus / Seat height | 65 | | | |
| Istumasyvyys / Sitting depth | 34 | | | |
| Istuimen syvyys / Seat depth | 36 | | | |
| Tilavuus / Volume (m ³) | 0,243 | | | |
| Paino / Weight (kg) | 6,3 | | | |

Pakkaustiedot / packing details:

| | | | | |
|---------------------------------------|------------------------------|--|--|--|
| Leveys / Width | 57 | | | |
| Syvyys / Depth | 66 | | | |
| Korkeus / Height | 110 | | | |
| Tilavuus / Volume (m ³) | 0,414 | | | |
| Paino / Weight (kg) | 7,8 | | | |
| Kolli / esine / Ctl / item | 1 | | | |
| Pakkausmateriaali Packing material | Ap-laatikko Cardboard box | | | |

| Jalkatalla/Pad | Vakio Standard | Huopa Felt | Liukas Slide |
|-----------------------------------|-------------------|---------------|-----------------|
| Koodi / Art.no. | ● | ● | |
| Lisähinta / Additional price | | | |
| Lisäkorotus / Additional increase | | | |
| Riviytkentä/ Linking | | | |

Vaihto- / Available variations

| | |
|---|---|
| Kova / Without upholstery | ● |
| Istuin verhoiltu / Seat upholstered | |
| Istuin ja selkäverhoiltu / Seat and back upholstered | |
| Ympäri verhoiltu / All-round upholstered | |
| Vaihtopöällinen / Removable cover | |
| Irtopöällinen / Loose cover | |
| Kromattu runko mahdollisuus / Option of chromed frame | ● |
| Riviytkentä helällä / Linking with device | |
| Helä nro / Fitting no: | |
| Riviytkentä, oma runko / Integrated linking | |

| | |
|--|--|
| Pinottavuus, vapaana / Stackability, free standing | |
| Pinottavuus, riviytkettävänä / Stackability, linked | |
| Pinottavuus tuolivaunussa / Stackability in chair trolley | |
| Erikoistyöt vaunulle / Special manufacture for trolley: | |
| Etenemä pinossa, mm/tuoli/ Advance when stacked, mm/chair | |
| Verhoillun etenemä pinossa / Upholstered, advance when stacked: | |
| Soveltuu vain tuolinkannattimeen / Suitability for chair brackets only | |
| Erikoistyöt tuolille / Special manufacture for chair: | |



Iris

D-LEG CHAIR (650 mm) WITH FOOTREST

Design Petteri Häkkinen

The D-leg chair with a footrest is designed with smaller students in mind. Thus, it's a perfect choice for primary classes and KGs.

Purposefully designed for comfort and practicality, the Iris Chair boasts an ergonomic backrest that encourages an ideal sitting position, ensuring a supportive experience for extended use. What sets this chair apart is its innovative feature – the ability to be easily hung from a table's edge. The chair, with an optional backrest opening, can be easily lifted.

Materials and finishing

Legs Powder-coated steel in ISKU standard colours / chrome.
Wooden footrest.

Chair shell Plastic (red, petrol, grey and green) or bent plywood veneered with ISKU standard laminate or veneer.

Seat upholstery Available with ISKU standard fabrics for wooden shells.

Dimensions

| | S-size, wood | L-size, wood | L-size, plastic |
|----------------|--------------|--------------|-----------------|
| Height | 930 mm | 1000 mm | 1000 mm |
| Depth | 470 mm | 470 mm | 490 mm |
| Width | 450 mm | 450 mm | 450 mm |
| Seating height | 650 mm | 650 mm | 650 mm |
| Seating depth | 350 mm | 360 mm | 360 mm |
| Seating width | 390 mm | 410 mm | 400 mm |



Iris

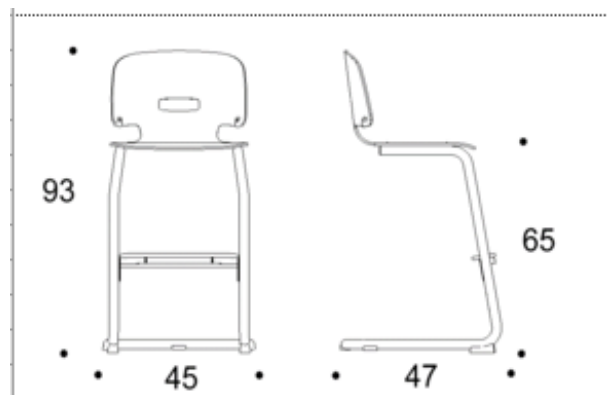
D-LEG CHAIR | 65, WOOD , S

Technical details of D-leg chair (650 mm) with wooden, S-sized chair shell

The chair is equipped with a footrest for added comfort.

Make Your Decisions on

- the leg colour
 - powder-coated steel in ISKU Standard colours and chrome available
- the chair shell material
 - ISKU Standard Laminates available
 - ISKU Standard Veneers available
- the backrest opening (Yes/No)
- the seat upholstery (Yes/No)
 - ISKU Standard Fabrics available



| Mitat / Dimensions (cm) | Kova V/o uph. | Ist.verh. Seat uph. | Verh. Uph. |
|--------------------------------|---------------|---------------------|------------|
| Leveys / Width | 45 | 45 | |
| Syvyys / Depth | 47 | 47 | |
| Korkeus / Height | 93 | 93 | |
| Istumakorkeus / Sitting height | 64 | 64 | |
| Istuimen korkeus / Seat height | 65 | 65 | |
| Istumasyvyys / Sitting depth | 33 | 33 | |
| Istuimen syvyys / Seat depth | 35 | 35 | |
| Tilavuus / Volume (m3) | 0,197 | 0,197 | |
| Paino / Weight (kg) | 7,1 | 7,2 | |

Pakkaustiedot / packing details:

| | | | |
|--------------------------------------|-----------------------------|-------|--|
| Leveys / Width | 51 | 51 | |
| Syvyys / Depth | 63 | 63 | |
| Korkeus / Height | 96 | 96 | |
| Tilavuus / Volume (m3) | 0,308 | 0,308 | |
| Paino / Weight (kg) | 8,6 | 8,7 | |
| Kolli / esine CII / item | 1 | 1 | |
| Pakkausmateriaali / Packing material | Ap-laatikko / Cardboard box | | |

| | | | |
|-----------------------------------|----------------|------------|--------------|
| Jalkatallat/Pad | Vakio Standard | Huopa Felt | Liukas Slide |
| Koodi / Art.no. | • | • | |
| Lisähinta / Additional price | | | |
| Lisäkorotus / Additional increase | | | |
| Riviytkentä/ Linking | | | |

Variaatiot / Available variations

| | |
|---|---|
| Kova / Without upholstery | • |
| Istuin verhoiltu / Seat upholstered | • |
| Istuin ja selkäverhoiltu / Seat and back upholstered | |
| Ympäri verhoiltu / All-round upholstered | |
| Vaihtopäällinen / Removable cover | |
| Irtopäällinen / Loose cover | |
| Kromattu runko mahdollisuus / Option of chromed frame | • |
| Riviytkentä helalla / Linking with device | |
| Hela nro / Fitting no: | |
| Riviytkentä, oma runko / Integrated linking | |

| | Kpl/Pcs |
|--|---------|
| Pinottavuus, vapaana / Stackability, free standing | |
| Pinottavuus, riviytkettävänä / Stackability, linked | |
| Pinottavuus tuolivaunussa / Stackability in chair trolley | |
| Erikoistyöt vaunulle / Special manufacture for trolley: | |
| Etenemä pinossa, mm/tuoli/ Advance when stacked, mm/chair | |
| Verhoillun etenemä pinossa / Upholstered, advance when stacked: | |
| Soveltuu vain tuolinkannattimeen / Suitability for chair brackets only | |
| Erikoistyöt tuolille / Special manufacture for chair: | |



Iris

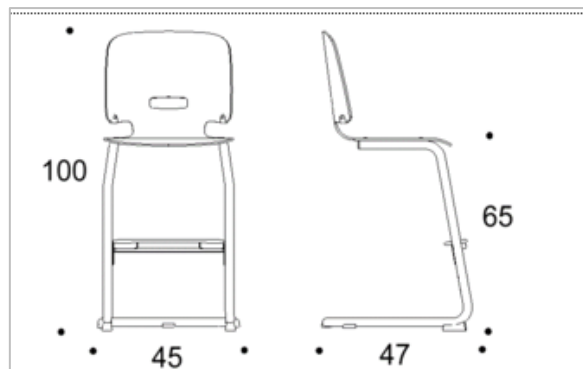
D-LEG CHAIR | 65, WOOD , L

Technical details of D-leg chair (650 mm) with wooden, L-sized chair shell

The chair is equipped with a footrest for added comfort.

Make Your Decisions on

- the leg colour
 - powder-coated steel in ISKU Standard colours and chrome available
- the chair shell material
 - ISKU Standard Laminates available
 - ISKU Standard Veneers available
- the backrest opening (Yes/No)
- the seat upholstery (Yes/No)
 - ISKU Standard Fabrics available



| Mitat / Dimensions (cm) | Kova w/o uph. | Ist.verh. Seat uph. | Verh. Up. |
|--------------------------------|------------------|---------------------------|--------------|
| Leveys / Width | 45 | 45 | |
| Syvyys / Depth | 47 | 47 | |
| Korkeus / Height | 100 | 100 | |
| Istumakorkeus / Sitting height | 64 | 64 | |
| Istuimen korkeus / Seat height | 65 | 65 | |
| Istumasyvyys / Sitting depth | 33 | 33 | |
| Istuimen syvyys / Seat depth | 36 | 36 | |
| Tilavuus / Volume (m3) | 0,212 | 0,212 | |
| Paino / Weight (kg) | 7,2 | 7,3 | |

Pakkaustiedot / packing details:

| | | | |
|---------------------------------------|------------------------------|-------|--|
| Leveys / Width | 57 | 57 | |
| Syvyys / Depth | 66 | 66 | |
| Korkeus / Height | 110 | 110 | |
| Tilavuus / Volume (m3) | 0,414 | 0,414 | |
| Paino / Weight (kg) | 8,7 | 8,8 | |
| Kolli / esine Cll / item | 1 | 1 | |
| Pakkausmateriaali Packing material | Ap-laatikko Cardboard box | | |

| | | | |
|-----------------------------------|-------------------|---------------|-----------------|
| Jalkatalla/Pad | Vakio Standard | Huopa Felt | Liukas Slide |
| Koodi / Art.no. | • | • | |
| Lisähinta / Additional price | | | |
| Lisäkorotus / Additional increase | | | |
| Riviytkentä/ Linking | | | |

Variaatiot / Available variations

| | |
|---|---|
| Kova / Without upholstery | • |
| Istuin verhoiltu / Seat upholstered | • |
| Istuin ja selkäverhoiltu / Seat and back upholstered | |
| Ympäri verhoiltu / All-round upholstered | |
| Vaihtopäällinen / Removable cover | |
| Irtopäällinen / Loose cover | |
| Kromattu runko mahdollisuus / Option of chromed frame | • |
| Riviytkentä helalla / Linking with device | |
| Hela nro / Fitting no: | |
| Riviytkentä, oma runko / Integrated linking | |

| | |
|--|--|
| Pinottavuus, vapaana / Stackability, free standing | |
| Pinottavuus, riviykettävänä / Stackability, linked | |
| Pinottavuus tuolivaunussa / Stackability in chair trolley | |
| Erikoistyöt vaunulle / Special manufacture for trolley: | |
| Etenemä pinossa, mm/tuoli/ Advance when stacked, mm/chair | |
| Verhoillun etenemä pinossa / Upholstered, advance when stacked: | |
| Soveltuu vain tuolinkannattimeen / Suitability for chair brackets only | |
| Erikoistyöt tuolille / Special manufacture for chair: | |



Iris

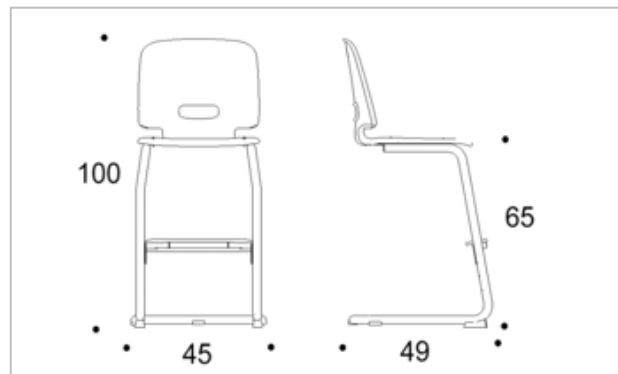
D-LEG CHAIR | 65, PLASTIC, L

Technical details of D-leg chair (650 mm) with plastic, L-sized chair shell

The chair is equipped with a footrest for added comfort.

Make Your Decisions on

- the leg colour
 - powder-coated steel in ISKU Standard colours and chrome available
- the colour of the plastics chair shell
 - Red NCS S 2070-Y80R, Petrol NCS S 5020-B, Green NCS S 5020-B50G or Grey NCS S 5005-G80Y



| Mitat / Dimensions (cm) | Kova W/o uph. | Ist.verh. Seat uph. | Verh. Uph. | Kpl/Pcs |
|--------------------------------|---------------|---------------------|------------|---------|
| Leveys / Width | 45 | | | |
| Syvyys / Depth | 49 | | | |
| Korkeus / Height | 100 | | | |
| Istumakorkeus / Sitting height | 65 | | | |
| Istuimen korkeus / Seat height | 65 | | | |
| Istumasyvyys / Sitting depth | 33 | | | |
| Istuimen syvyys / Seat depth | 36 | | | |
| Tilavuus / Volume (m3) | 0,221 | | | |
| Paino / Weight (kg) | 7,2 | | | |

Pakkaustiedot / packing details:

| | | | | |
|--------------------------------------|-----------------------------|--|--|--|
| Leveys / Width | 57 | | | |
| Syvyys / Depth | 66 | | | |
| Korkeus / Height | 110 | | | |
| Tilavuus / Volume (m3) | 0,414 | | | |
| Paino / Weight (kg) | 8,7 | | | |
| Kolli / esine / Cl / item | 1 | | | |
| Pakkausmateriaali / Packing material | Ap-laatikko / Cardboard box | | | |

| Jalkatalla / Pad | Vakio / Standard | Huopa / Felt | Liukas / Slide |
|-----------------------------------|------------------|--------------|----------------|
| Koodi / Art.no. | • | • | |
| Lisähinta / Additional price | | | |
| Lisäkorotus / Additional increase | | | |
| Riviytkentä / Linking | | | |

Variaatiot / Available variations

| | |
|---|---|
| Kova / Without upholstery | • |
| Istuin verhoiltu / Seat upholstered | |
| Istuin ja selkäverhoiltu / Seat and back upholstered | |
| Ympäri verhoiltu / All-round upholstered | |
| Vaihtopäällinen / Removable cover | |
| Irtopäällinen / Loose cover | |
| Kromattu runko mahdollisuus / Option of chromed frame | • |
| Riviytkentä helalla / Linking with device | |
| Hela nro / Fitting no: | |
| Riviytkentä, oma runko / Integrated linking | |

| | |
|--|--|
| Pinottavuus, vapaana / Stackability, free standing | |
| Pinottavuus, riviytkettävänä / Stackability, linked | |
| Pinottavuus tuolivaunussa / Stackability in chair trolley | |
| Erikoistyöt vaunulle / Special manufacture for trolley: | |
| Etenemä pinossa, mm/tuoli / Advance when stacked, mm/chair | |
| Verhoillun etenemä pinossa / Upholstered, advance when stacked: | |
| Soveltuu vain tuolinkannattimeen / Suitability for chair brackets only | |
| Erikoistyöt tuolille / Special manufacture for chair: | |



STOOLS

designed for modifiability and
functionality of spaces



Iris

STOOL, LOW

Design Petteri Häkkinen

The Iris stool stands as a lightweight and versatile solution, catering to diverse needs in environments like classrooms, offices, and workshops.

Its stackable design harmoniously complements the Iris chair collection, seamlessly integrating functionality with a shared design language and aesthetic appeal. The high stools can be effortlessly stacked in sets of 20, offering not just seating but a refined sense of space management.

Materials and finishing

Legs Powder-coated steel in ISKU standard colours / chrome.

Seat ISKU standard laminate or veneer.

Seat upholstery Available with ISKU standard fabrics.

Dimensions

| | |
|----------------|--------|
| Height | 450 mm |
| Depth | 380 mm |
| Width | 380 mm |
| Seating height | 450 mm |
| Seating depth | 300 mm |
| Seating width | 300 mm |



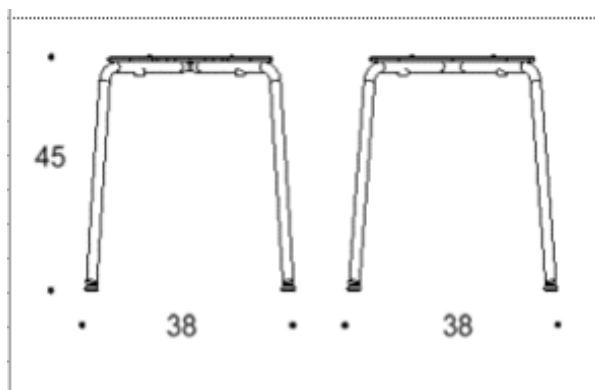
Iris

STOOL, LOW

Technical details of Iris stool, height 45

Make Your Decisions on

- the leg colour
 - powder-coated steel in ISKU Standard colours and chrome available
- the stool seat material
 - ISKU Standard Laminates available
 - ISKU Standard Veneers available
- the seat upholstery (Yes/No)
 - ISKU Standard Fabrics available



| Mitat / Dimensions (cm) | Kova W/o uph. | Ist.verh. Seat uph. | Verh. Uph. |
|--------------------------------|---------------------|---------------------------|---------------|
| Leveys / Width | 38 | 38 | |
| Syvyys / Depth | 38 | 38 | |
| Korkeus / Height | 45 | 45 | |
| Istumakorkeus / Sitting height | 45 | 45 | |
| Istuimen korkeus / Seat height | 45 | 45 | |
| Istumasyvyys / Sitting depth | 30 | 30 | |
| Istuimen syvyys / Seat depth | 30 | 30 | |
| Tilavuus / Volume (m3) | 0,065 | 0,065 | |
| Paino / Weight (kg) | 2,7 | 2,8 | |

Pakkaustiedot / packing details:

| | | |
|---------------------------|-------|-------|
| Leveys / Width | 45 | 45 |
| Syvyys / Depth | 45 | 45 |
| Korkeus / Height | 63 | 63 |
| Tilavuus / Volume (m3) | 0,128 | 0,128 |
| Paino / Weight (kg) | 17,7 | 18,3 |
| Kolli / esine / Cl / item | 6 | 6 |

| | | | |
|---------------------------------------|--------------|--|--|
| Pakkausmateriaali Packing material | Kiristekalvo | | |
|---------------------------------------|--------------|--|--|

| | | | |
|-----------------------------------|-------------------|---------------|-----------------|
| Jalkatalla/Pad | Vakio Standard | Huopa Felt | Liukas Slide |
| Koodi / Art.no. | ● | ● | |
| Lisähinta / Additional price | | | |
| Lisäkorotus / Additional increase | | | |
| Riviytkentä/ Linking | | | |

Variaatiot / Available variations

| | |
|---|---|
| Kova / Without upholstery | ● |
| Istuin verhoiltu / Seat upholstered | ● |
| Istuin ja selkäverhoiltu / Seat and back upholstered | |
| Ympäri verhoiltu / All-round upholstered | |
| Vaihtopöällinen / Removable cover | |
| Irtopöällinen / Loose cover | |
| Kromattu runko mahdollisuus / Option of chromed frame | ● |
| Riviytkentä helalla / Linking with device | |
| Hela nro / Fitting no: | |
| Riviytkentä, oma runko / Integrated linking | |

| | Kpl/Pes |
|--|---------|
| Pinottavuus, vapaana / Stackability, free standing | 20 |
| Pinottavuus, riviytkettävänä / Stackability, linked | |
| Pinottavuus tuolivaunussa / Stackability in chair trolley | |
| Erikoistyöt vaunulle / Special manufacture for trolley: | |
| Etenemä pinossa, mm/tuoli / Advance when stacked, mm/chair | |
| Verhoillun etenemä pinossa / Upholstered, advance when stacked: | |
| Soveltuu vain tuolinkannattimeen / Suitability for chair brackets only | |
| Erikoistyöt tuolille / Special manufacture for chair: | |



Iris

STOOL, HIGH

Design Petteri Häkkinen

The Iris stool stands as a lightweight and versatile solution, catering to diverse needs in environments like classrooms, offices, and workshops.

Its stackable design harmoniously complements the Iris chair collection, seamlessly integrating functionality with a shared design language and aesthetic appeal. The high stools can be effortlessly stacked in sets of 8, offering not just seating but a refined sense of space management.

Materials and finishing

Legs Powder-coated steel in ISKU standard colours / chrome.

Seat ISKU standard laminate or veneer.

Seat upholstery Available with ISKU standard fabrics.

Dimensions

| | |
|----------------|--------|
| Height | 650 mm |
| Depth | 420 mm |
| Width | 460 mm |
| Seating height | 650 mm |
| Seating depth | 300 mm |
| Seating width | 300 mm |



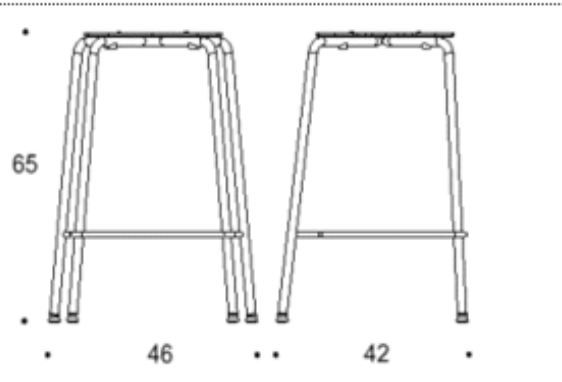
Iris

STOOL, HIGH

Technical details of Iris stool, height 65

Make Your Decisions on

- the leg colour
 - powder-coated steel in ISKU Standard colours and chrome available
- the stool seat material
 - ISKU Standard Laminates available
 - ISKU Standard Veneers available
- the seat upholstery (Yes/No)
 - ISKU Standard Fabrics available



| Mitat / Dimensions (cm) | Kova w/o uph. | Ist.verh. Seat uph. | Verh. Uph. |
|-------------------------------------|---------------------|---------------------------|---------------|
| Leveys / Width | 46 | 46 | |
| Syvyys / Depth | 42 | 42 | |
| Korkeus / Height | 65 | 65 | |
| Istumakorkeus / Sitting height | 44 | 44 | |
| Istuimen korkeus / Seat height | 65 | 65 | |
| Istumasyvyys / Sitting depth | 30 | 30 | |
| Istuimen syvyys / Seat depth | 30 | 30 | |
| Tilavuus / Volume (m ³) | 0,126 | 0,126 | |
| Paino / Weight (kg) | 4 | 4 | |

Pakkaustiedot / packing details:

| | | |
|--------------------------------------|-------------|-------|
| Leveys / Width | 50 | 50 |
| Syvyys / Depth | 47 | 47 |
| Korkeus / Height | 80 | 80 |
| Tilavuus / Volume (m ³) | 0,188 | 0,188 |
| Paino / Weight (kg) | 17,5 | 17,5 |
| Kolli / esine / Cl / item | 4 | 4 |
| Pakkausmateriaali / Packing material | Kirstekalvo | |

| | | | |
|-----------------------------------|-------------------|---------------|-----------------|
| Jalkatalla/Pad | Vakio Standard | Huopa Felt | Liukas Slide |
| Koodi / Art.no. | ● | ● | |
| Lisähinta / Additional price | | | |
| Lisäkorotus / Additional increase | | | |
| Riviytkentä/ Linking | | | |

Variaatiot / Available variations

| | |
|---|---|
| Kova / Without upholstery | ● |
| Istuin verhoiltu / Seat upholstered | ● |
| Istuin ja selkäverhoiltu / Seat and back upholstered | |
| Ympäri verhoiltu / All-round upholstered | |
| Vaihtopäällinen / Removable cover | |
| Irtopäällinen / Loose cover | |
| Kromattu runko mahdollisuus / Option of chromed frame | ● |
| Riviytkentä helalla / Linking with device | |
| Hela nro / Fitting no: | |
| Riviytkentä, oma runko / Integrated linking | |

| | |
|--|----|
| Pinottavuus, vapaana / Stackability, free standing | 8 |
| Pinottavuus, riviytkettävänä / Stackability, linked | |
| Pinottavuus tuolivaunussa / Stackability in chair trolley | |
| Erikoistyöt vaunulle / Special manufacture for trolley: | |
| Etenemä pinossa, mm/tuoli / Advance when stacked, mm/chair | |
| Verhoillun etenemä pinossa / Upholstered, advance when stacked: | 31 |
| Soveltuu vain tuolinkannattimeen / Suitability for chair brackets only | |
| Erikoistyöt tuolille / Special manufacture for chair: | |



Iris

HEIGHT-ADJUSTABLE STOOL

Design Petteri Häkkinen

The height-adjustable stool is a lightweight and convenient choice for various purposes, such as providing flexible seating options in classrooms, offices, or workshops.

The stool seamlessly complements the Iris chair collection with its functionality, sharing the same design language and aesthetic appeal.

Materials and finishing

Cross-base Black (plastic), white or polished aluminium. Available with castors or pads. Footrest as an accessory

Seat ISKU standard laminate or veneer.

Seat upholstery Available with ISKU standard fabrics.

Dimensions

Height 370-500 mm

Depth 520 mm

Width 520 mm

Seating height 370-500 mm

Seating depth 300 mm

Seating width 300 mm



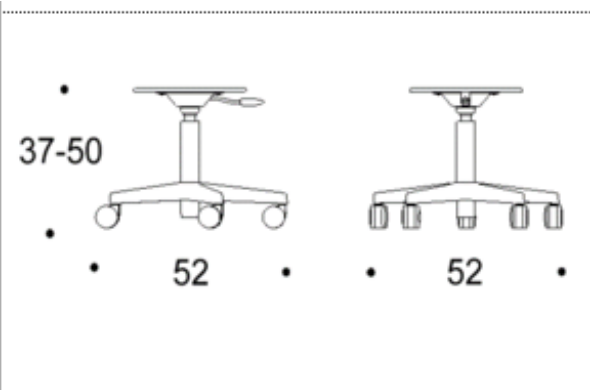
Iris

HEIGHT-ADJUSTABLE STOOL

Technical details of height-adjustable stool with cross-base

Make Your Decisions on

- the cross-base
 - black (plastic), white or polished aluminium
- the chair shell material
 - ISKU Standard Laminates available
 - ISKU Standard Veneers available
- the seat upholstery (Yes/No)
 - ISKU Standard Fabrics available



| Mitat / Dimensions (cm) | Kova V/o uph. | Ist.verh. Seat uph. | Verh. Uph. |
|--------------------------------|---------------|---------------------|------------|
| Leveys / Width | 52 | 52 | |
| Syvyys / Depth | 52 | 52 | |
| Korkeus / Height | 37 | 37 | |
| Istumakorkeus / Sitting height | 37-50 | 37-50 | |
| Istuimen korkeus / Seat height | 39-54 | 39-54 | |
| Istumasyvyys / Sitting depth | 30 | 30 | |
| Istuimen syvyys / Seat depth | 30 | 30 | |
| Tilavuus / Volume (m3) | 0,100 | 0,100 | |
| Paino / Weight (kg) | 3 | 3,1 | |

Pakkaustiedot / packing details:

| | | |
|--------------------------------------|-----------------------------|-------|
| Leveys / Width | 67 | 67 |
| Syvyys / Depth | 67 | 67 |
| Korkeus / Height | 86 | 86 |
| Tilavuus / Volume (m3) | 0,386 | 0,386 |
| Paino / Weight (kg) | 4,5 | 4,6 |
| Kolli / esine / Cl / item | 1 | 1 |
| Pakkausmateriaali / Packing material | Ap-laatikko / Cardboard box | |

| | | | |
|-----------------------------------|------------------|--------------|----------------|
| Jalkatalla/Pad | Vakio / Standard | Huopa / Felt | Liukas / Slide |
| Koodi / Art.no. | | | |
| Lisähinta / Additional price | | | |
| Lisäkorotus / Additional increase | | | |
| Riviytkentä / Linking | | | |

Variaatiot / Available variations

| | |
|---|--------------------------|
| Kova / Without upholstery | <input type="checkbox"/> |
| Istuin verhoiltu / Seat upholstered | <input type="checkbox"/> |
| Istuin ja selkäverhoiltu / Seat and back upholstered | <input type="checkbox"/> |
| Ympäri verhoiltu / All-round upholstered | <input type="checkbox"/> |
| Vaihtopäällinen / Removable cover | <input type="checkbox"/> |
| Irtopäällinen / Loose cover | <input type="checkbox"/> |
| Kromattu runko mahdollisuus / Option of chromed frame | <input type="checkbox"/> |
| Riviytkentä helalla / Linking with device | <input type="checkbox"/> |
| Hela nro / Fitting no: | |
| Riviytkentä, oma runko / Integrated linking | <input type="checkbox"/> |

| | Kpl/Pcs |
|--|---------|
| Pinottavuus, vapaana / Stackability, free standing | |
| Pinottavuus, riviytkettävänä / Stackability, linked | |
| Pinottavuus tuolivaunussa / Stackability in chair trolley | |
| Erikoistyöt vaunulle / Special manufacture for trolley: | |
| Etenemä pinossa, mm/tuoli / Advance when stacked, mm/chair | |
| Verhoillun etenemä pinossa / Upholstered, advance when stacked: | |
| Soveluu vain tuolink annattimeen / Suitability for chair brackets only | |
| Erikoistyöt tuolille / Special manufacture for chair: | |

