

Tendo

STORAGE SYSTEM

Design Juha Lähti

Tendo storage furniture offers a wide range of solutions, from compact drawer units to extensive cabinet configurations. With its clear, functional design and versatile features Tendo meets a variety of storage needs.

Its minimalist and timeless look allows Tendo to seamlessly complement any interior style. The collection includes cabinets, shelves, and chests of drawers, designed to balance aesthetic appeal with practical use. With numerous customization options, including material and color combinations, Tendo Air metal frames, a variety of shelf materials, and plant boxes, the system easily adapts to user preferences and space requirements.

Efficiently dimensioned modules can be combined in flexible setups to suit any environment, whether it's a modern office, school or a personal workspace. Tendo offers sleek, purposeful storage solutions that cater to both functional and visual demands.



Tendo

STORAGE SYSTEM

Materials and finishing

The frames and doors are made of furniture board (melamine).

The standard colours for the frames and doors are black, white, light gray, dusk blue, black birch, cashmere, ash, oak, birch and beech. In addition to these, ISKU standard stain colours are available for doors.

| | | | | | | | | | | |
|------------|--|--|---|--|--|--|--|--|---|--|
| Frame |  |  |  |  |  |  |  |  |  |  |
| Back panel | Black Mel 135 | White Mel 114 | Light Grey Mel 130 | Dusk Blue Mel 144 | Black Birch Mel 115 | Ash Mel 122 | Oak Mel 128 | Birch Mel 121 | Cashmere Mel 123 | Beech Mel 124 |
| |  Black |  White |  Light Grey |  Dusk Blue |  Black |  Ash |  Oak |  Beige |  Cashmere |  Beige |
| | HDF 272 | HDF 271 | HDF 266 | HDF 274 | HDF 272 | HDF 278 | HDF 279 | HDF 265 | HDF 276 | HDF 265 |

Tendo

STORAGE SYSTEM

Legs & Stands

The Tendo storage system offers a variety of stand and leg choices to match both functionality and style preferences:

- Wheels (h 85mm) for mobility
- Light gray metal legs (h 85mm) for a sleek, modern look.
- Wooden Legs (h 150mm) available in oak, ash, or birch, offering a natural touch.
- Adjustable Low Leg perfect for fine-tuning height requirements.
- Metal Frame (h 150mm or 260mm) available in ISKU standard metal colors (excl. chrome), providing a sturdy, industrial option.
- Plastic base (h 85mm, grey) is a practical option for stable and low-profile support.



▣ Metal legs
H85 mm



○ Castors
H85 mm



▣ Metal frame
H150 mm



▣ Metal frame
H260 mm

*available for
cabinet heights
402 / 641 / 787



⌞ Low adjustable
foot
H20 mm



▣ Plastic base
H85 mm



▣ Wooden leg
H150 mm

Tendo

STORAGE SYSTEM

Handles

The knob handle is available in black, white, stainless steel, or chrome, bringing a refined finish to any interior. For a more modern, angular style, the rectangular handle is available in two widths, 64 mm and 160 mm, with the same elegant color options.



*The exception is the storage tower handle which is always rectangular W 320mm.

Locks

The customizable locking solutions enhance the security and functionality of Tendo cabinets and drawers. With four locking options, including both mechanical and electronic models, you can easily choose the perfect match for your needs. The cabinet is also available without a lock.



Cylinder lock with key (1-200 options available)



Electronic lock with LED light)



Mechanical numeric lock



Electronic numeric lock

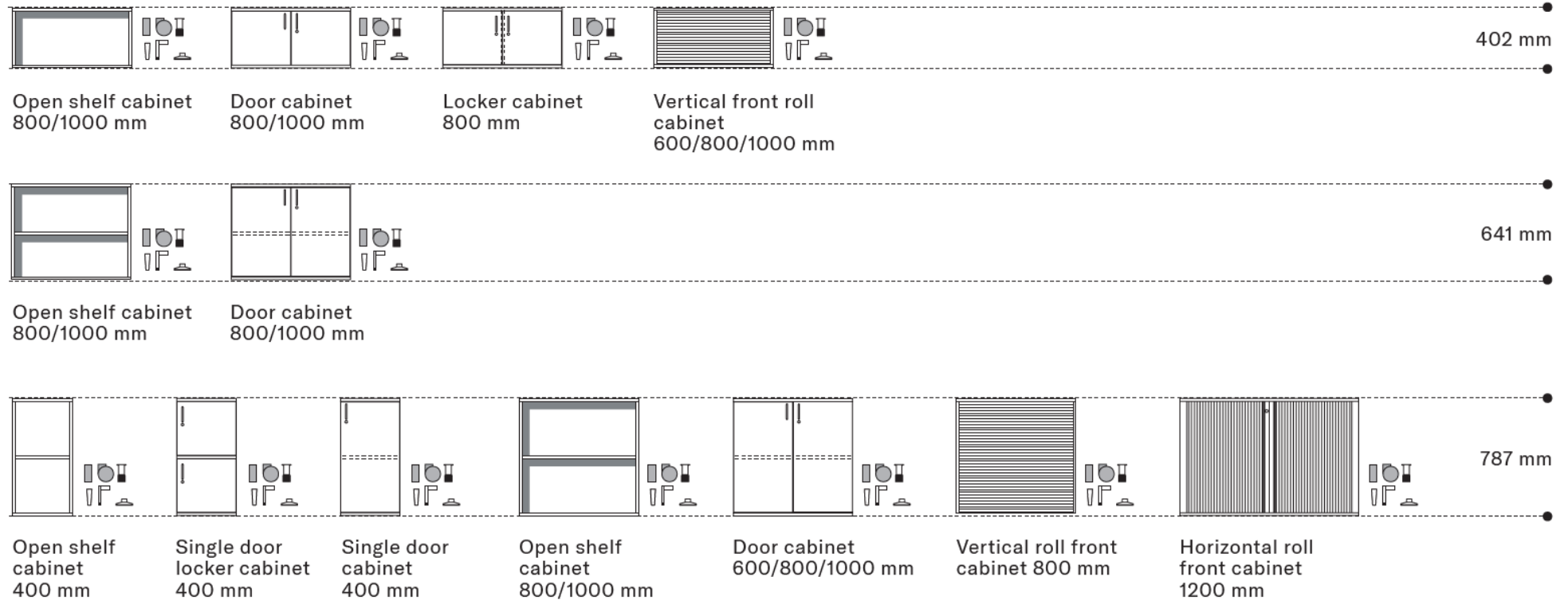
Tendo

STORAGE SYSTEM

Dimensions 1/7

Cabinets

Frame Height *



* Remember to add the selected leg height to the frame height to determine the total cabinet height.

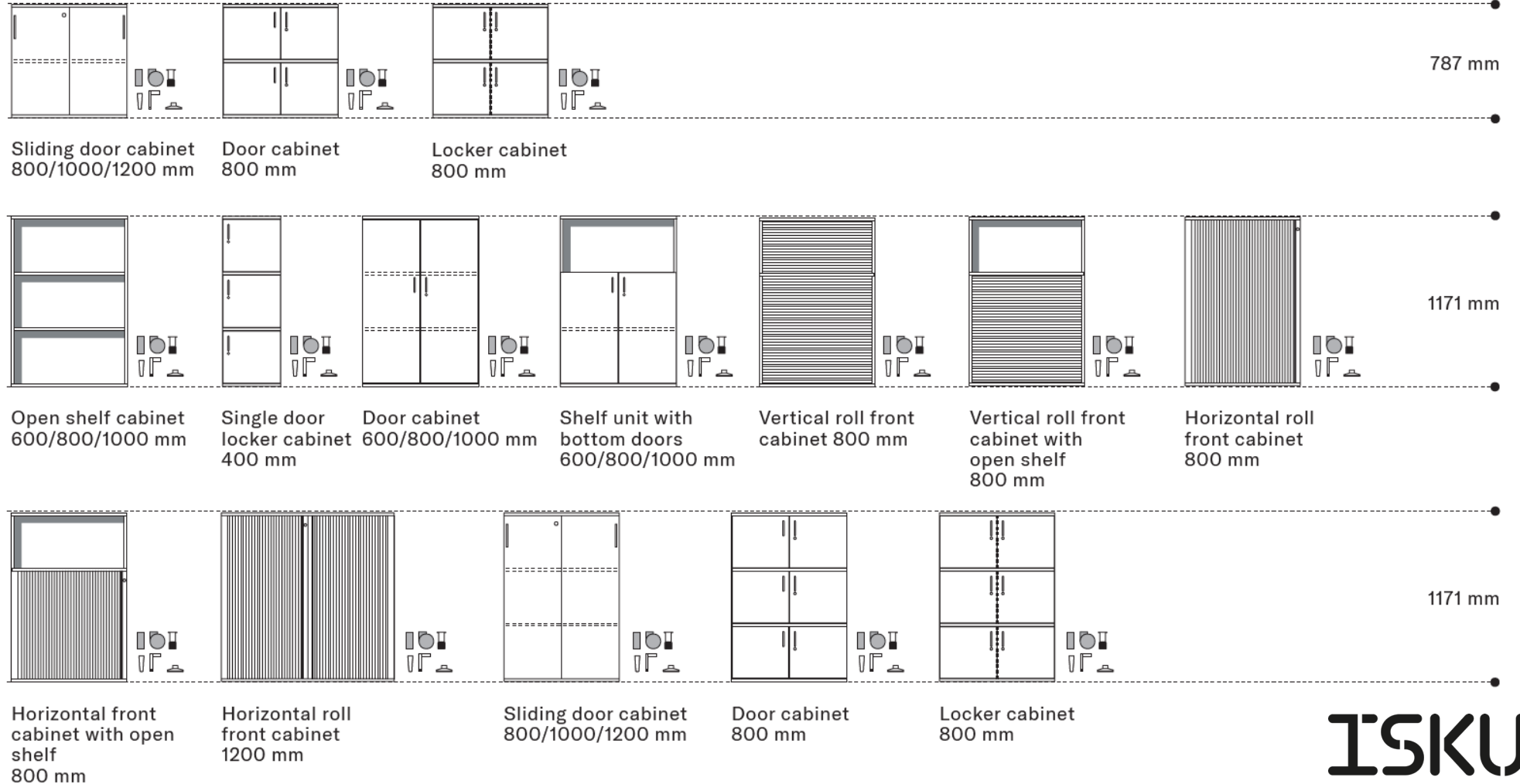
Tendo

STORAGE SYSTEM

Dimensions 2/7

Cabinets

Frame Height *



* Remember to add the selected leg height to the frame height to determine the total cabinet height.

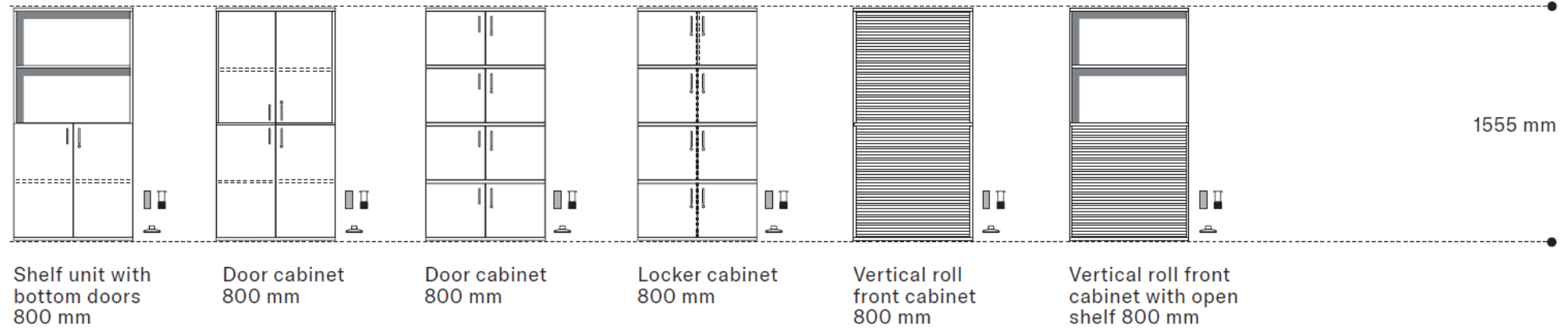
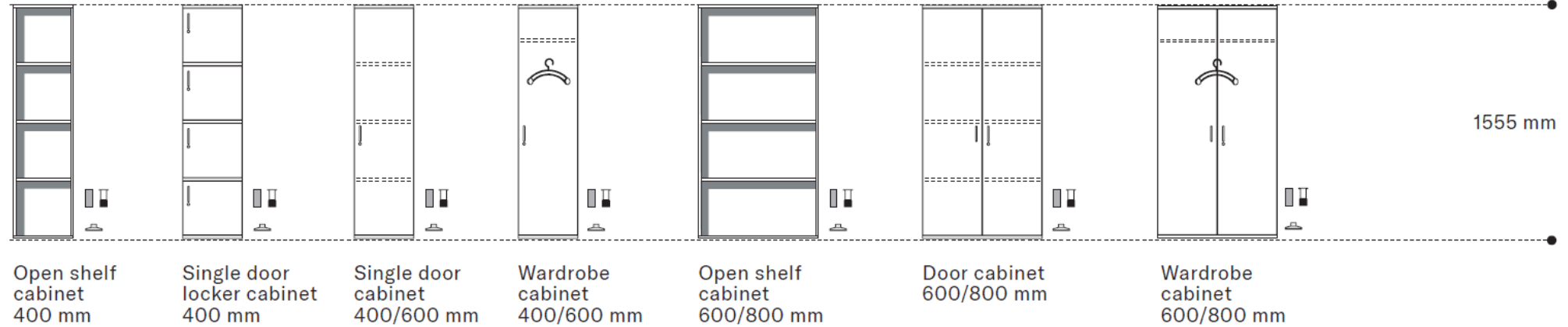
Tendo

STORAGE SYSTEM

Dimensions 3/7

Cabinets

Frame Height *



* Remember to add the selected leg height to the frame height to determine the total cabinet height.

Tendo

STORAGE SYSTEM

Dimensions 4/7

Cabinets

Frame Height *

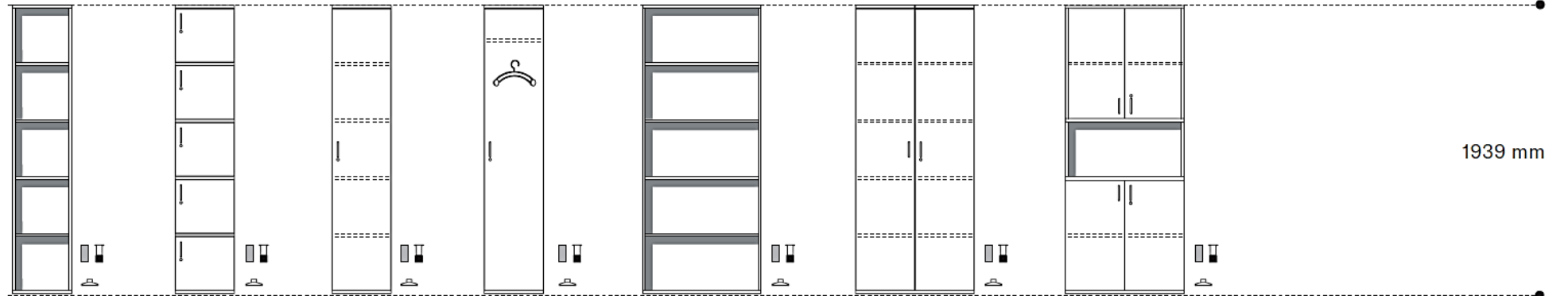


1555 mm

Horizontal roll front cabinet
800 mm

Horizontal front cabinet with open shelf
800 mm

Glass door cabinet
800 mm



1939 mm

Open shelf cabinet
400 mm

Single door locker cabinet
400 mm

Single door cabinet
400/600 mm

Wardrobe cabinet
400/600 mm

Open shelf cabinet
600/800 mm

Door cabinet
600/800 mm

Door cabinet with open shelf
800 mm

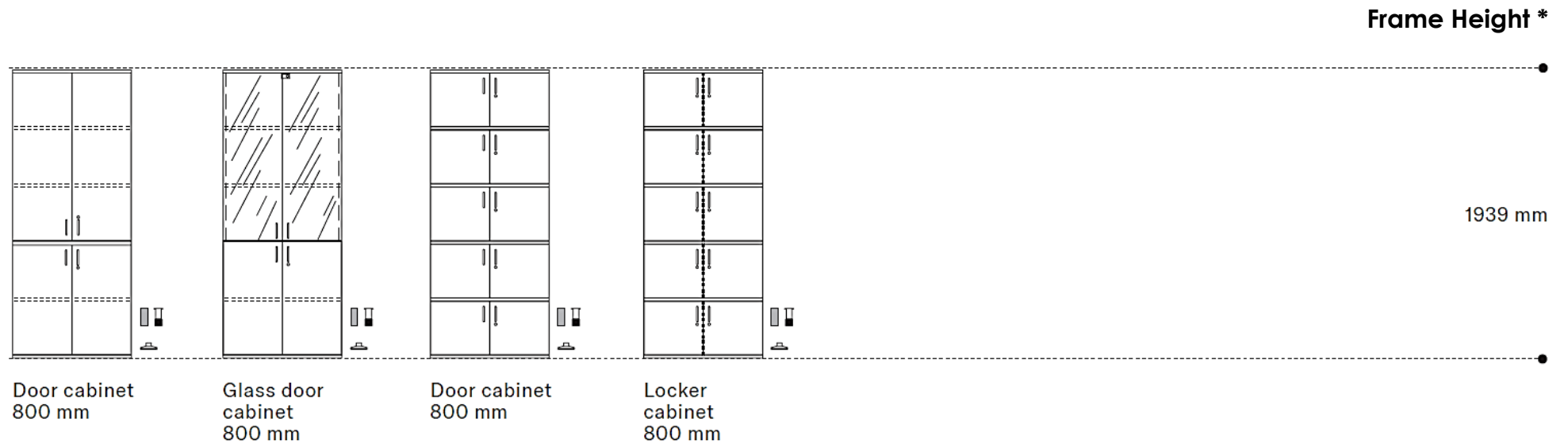
* Remember to add the selected leg height to the frame height to determine the total cabinet height.

Tendo

STORAGE SYSTEM

Dimensions 5/7

Door cabinets



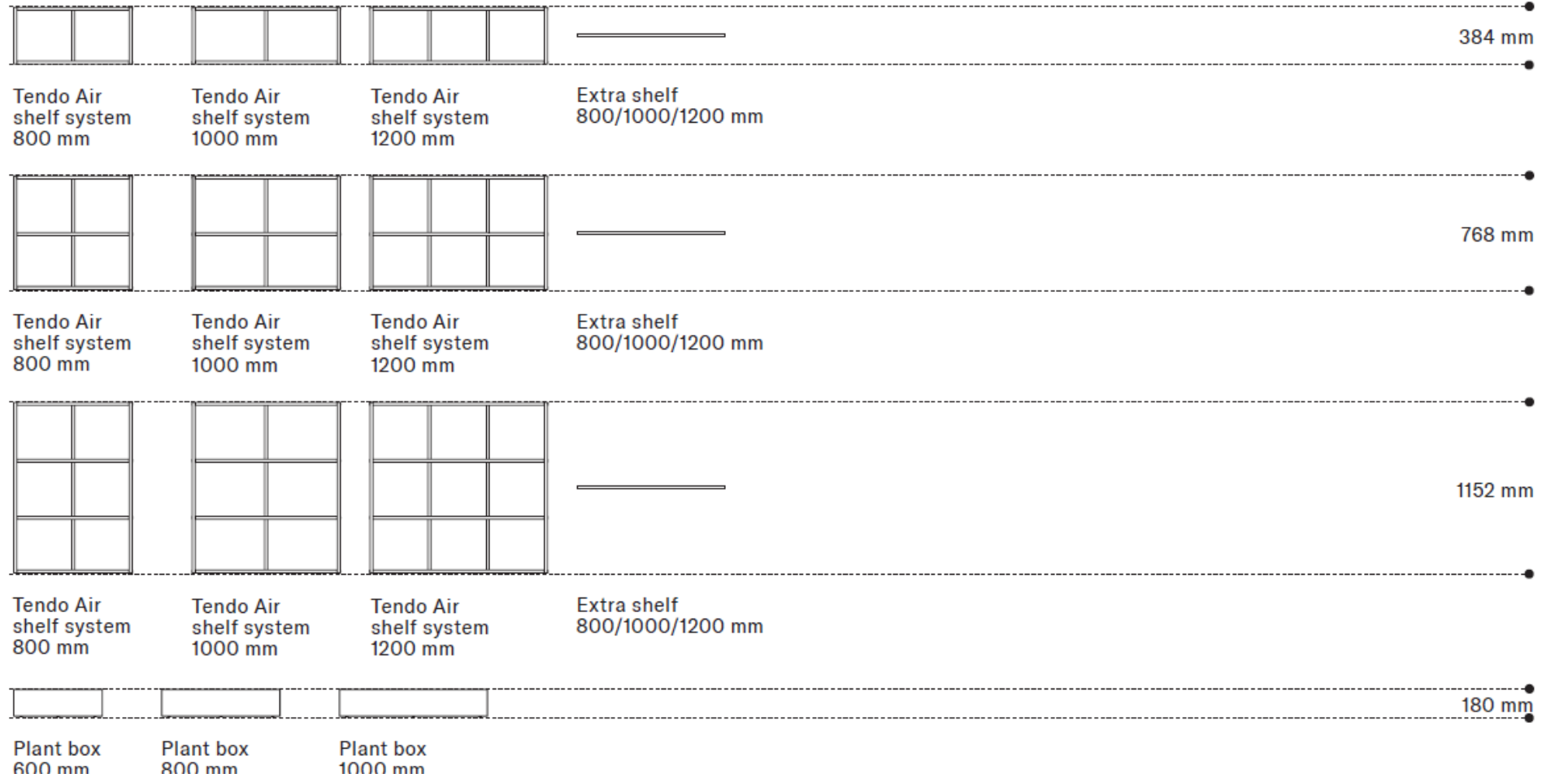
* Remember to add the selected leg height to the frame height to determine the total cabinet height.

Tendo

STORAGE SYSTEM

Dimensions 6/7

**Tendo Air &
Plant boxes**



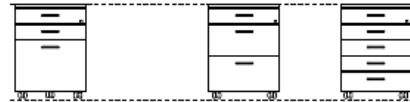
Tendo

STORAGE SYSTEM

Dimensions 7/7

Drawer 2007
Tendo Mobile
Storage Tower

Total Height



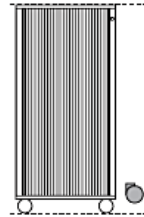
2007
Hanging file
folder
427 mm

2007-3
Drawer
427 mm

2007-4
Drawer
427 mm

565 mm

Tendo 427 mm deep elements



Mobili
600 mm

1256 mm

Tendo 800/900 mm deep elements



Storage tower
450 mm

1256 mm

Tendo

STORAGE TOWER

Design Juha Lätti

The Tendo Storage Tower is designed to seamlessly integrate with any workstation, providing efficient and organized storage solutions. Equipped with a rekeyable lock as standard, it ensures secure storage for personal and office items. The storage tower can be fitted with a noticeboard or an upholstered back panel, making it both practical and stylish. Tendo Tower is perfect for creating a pleasant, efficient working environment while simultaneously enhancing acoustics in the space.

Materials and finishing

The frames and doors are made from high-quality furniture board (melamine). Detailed information about the standard colors, two leg options and locks can be found in the accompanying datasheet.

Storage tower comes always with rectangular handle w 320mm with color options.

Dimensions

| | |
|--------|-------------|
| Width | 80 or 90 cm |
| Depth | 45 cm |
| Height | 126 cm |

| | |
|--------------|------------------------------------|
| Notice board | w88 cm, h50 (attached to the side) |
|--------------|------------------------------------|





Tendo

ISKU
Since 1928

Tendo

SLIDING DOOR CABINET

Design Juha Lähti

Tendo sliding door cabinets offer an efficient storage solution with a sleek, modular design. The flexible structure allows you to configure various heights and widths to suit any space or purpose, maximizing both functionality and style. With seven customizable leg and stand options, including wood, metal, and wheels, you can personalize your cabinet to match your space's aesthetic while ensuring stability and durability.

Materials and finishing

The frames and doors are made from high-quality furniture board (melamine). Detailed information about the standard colors, seven leg/stand options, handles, and locks can be found in the accompanying datasheet.

Dimensions

| | |
|--------|---|
| Width | 80/100/120 cm |
| Depth | 43 cm |
| Height | The height of the cabinet is determined by the chosen leg option. |



Tendo

SHELF CABINET

Design Juha Lätti

Tendo storage furniture forms a uniform collection of furniture with clear, modern lines. With its diverse range of efficient modular dimensions, Tendo makes it possible to create effective, practical storage solutions. The shelves can be provided with glazed or solid doors.

The lower cabinet (heights 49, 87 and 126 cm) are available with either a base, adjustable legs or wheels. The higher ones are available with either a base or adjustable legs.

Materials and finishing

The frames and doors are made from high-quality furniture board (melamine). Detailed information about the standard colors, seven leg/stand options, handles, and locks can be found in the accompanying datasheet.

Dimensions

| | |
|---------|---|
| Width | 40/60/80/100/120 cm |
| Depth | 43 cm |
| Heights | The height of the cabinet is determined by the chosen leg option. |



Tendo

DOOR CABINET

Design Juha Lätti

The Tendo cabinets offers sleek, modern storage furniture with clear, uniform lines. With a variety of modular dimensions, Tendo enables you to design practical and efficient storage setups for any space. Shelving units are available with glazed or solid doors, providing both flexibility and style to meet your needs.

To personalize your space, Tendo offers seven leg/stand options, including metal, wood, wheels, and adjustable bases.

Materials and finishing

The frames and doors are made from high-quality furniture board (melamine). Detailed information about the standard colors, leg/stand options, handles, and locks can be found in the accompanying datasheet.

Dimensions

| | |
|--------|---|
| Width | 40/60/80/100/120 cm |
| Depth | 43 cm |
| Height | The height of the cabinet is determined by the chosen leg option. |



Tendo

ROLL-FRONT CABINET

Design Juha Lähti

The Tendo series offers a diverse selection of roll-front doors that provide the perfect finishing touch to any workspace interior. These doors enable visually striking combinations while ensuring exceptional functionality, even in compact areas. Available in both horizontal and vertical designs, Tendo roll-front doors enhance aesthetics and practicality, making them ideal space-saving solutions for modern work environments.

Materials and finishing

The frames and doors are made from high-quality furniture board (melamine). Detailed information about the standard colors, seven leg/stand options, handles, and locks can be found in the accompanying datasheet.

Dimensions

| | |
|--------|---|
| Width | 80/120 cm |
| Depth | 43 cm |
| Height | The height of the cabinet is determined by the chosen leg option. |





Tendo

ISKU
Since 1928

Tendo

MOBILE CABINET

Design Juha Lätti

The Tendo storage furniture offers storage solutions ranging from small sets of drawers to extensive cabinet set-ups. The efficiently dimensioned modules can be combined into functional set-ups in a variety of spaces.

Tendo mobile cabinet is a flexible and space-saving sharing solution to shared office spaces. It moves easily with its user, and it can be parked anywhere.

Materials and finishing

| | |
|-------|--|
| Frame | white melamine |
| Door | roll-front with vertical roll-fronts of white plastic. |

Tendo Mobile is equipped with castors and metal handle

Dimensions

| | |
|--------|-----------------------|
| Width | 60 cm |
| Depth | 45 cm |
| Height | 126 cm (with castors) |





Tendo Mobile

Tendo AV

CABINET

Design Juha Lätti

The Tendo 400- and 800-mm wide cabinets can be fitted with elevated table tops to increase their height to suit presentation and performance purposes. These units can be used as a speaker's stand in conference and lecture rooms, as AV stands and for storage.

The units are on castors making them easy to move around. As an accessory upholstered back with ISKU standard screen fabrics.

Materials and finishing

| | |
|--------------|--|
| Cabinet | Standard ISKU melamine and natural veneers, stained beech and stained ash colours. |
| Elevated top | Light grey and white or any of standard ISKU natural veneers and stained beech |
| Door | Standard door with the frame colour or roll-front door (light grey). |

Dimensions

| | |
|--------|--|
| Width | 400/800 mm |
| Depth | Cabinet 426 mm. Overall depth according to the selected top option |
| Height | 1038 mm |

More information on the Datasheet.



Tendo AV

CABINET

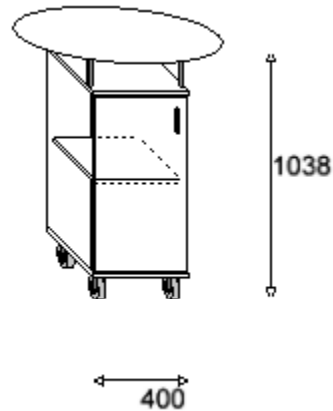
Datasheet



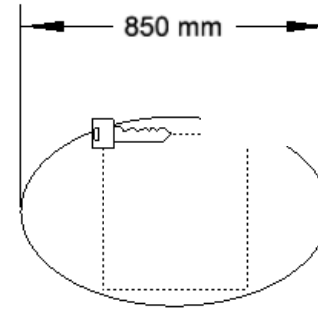
Upholstered backpanel

Handles as per the choice:
black, silver, chrome or white.

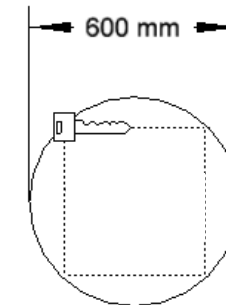
Tabletop mounting bracket is silver, and its height
is 14 cm.



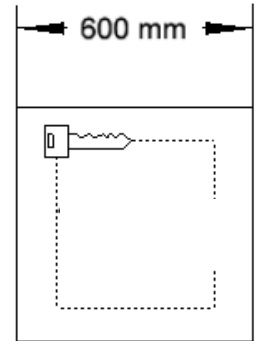
Elevated tops for 400mm cabinet



Top C1

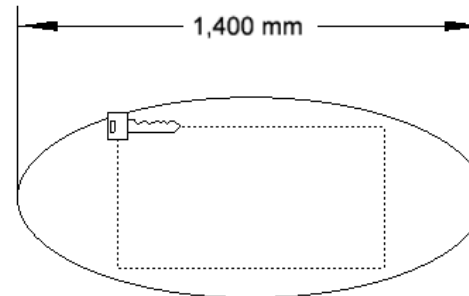
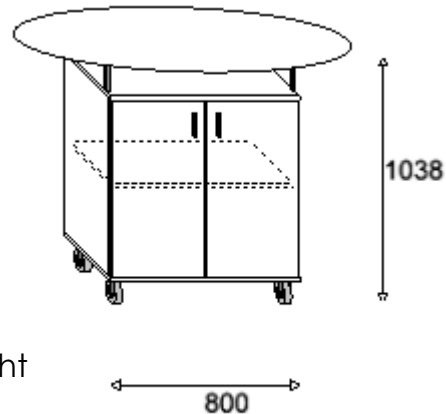


Top O6



Top B6

Elevated top for 800mm cabinet



Top C2

Tendo Oppi

STORAGE UNIT

Design Juha Lätti

The versatile Tendo Oppi range includes various storage options for learning and office spaces. The storage units also serve as space dividers and can be equipped with upholstered back panels that may be used as attachment surfaces. The storage units are available with either plinth, legs or lockable castors.

Tendo Oppi is available also with upholstered back panel.

Materials and finishing

Frame natural birch, beech, oak, ash, standard stained
beech and ash colors. White, light grey, dark grey and black
 melamine.

Doors/drawer-fronts Painted MDF ● ○ ● ● ● ●

Plinth colour light grey, dark grey, white

Dimensions

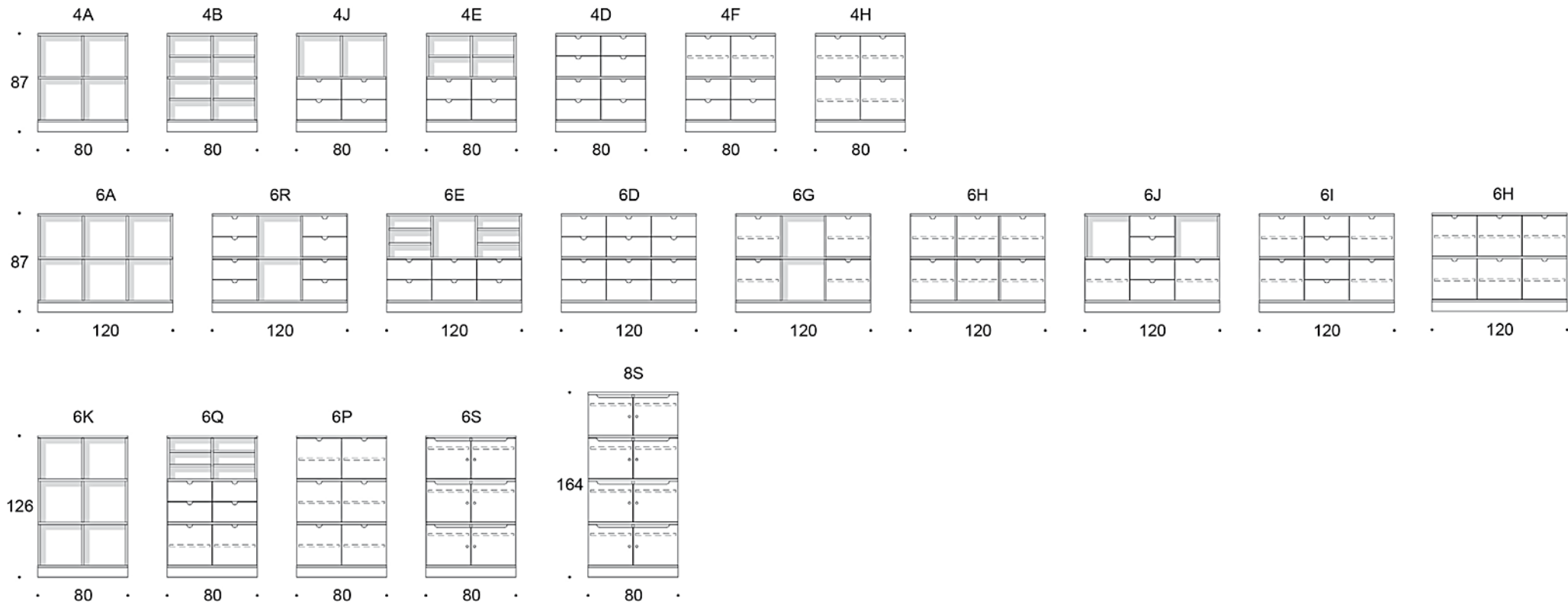
The dimensions are specified as per the models on the datasheet.



Tendo Oppi

STORAGE UNIT

Dimensions



Tendo Oppi

ISKU
Since 1928



Tendo Oppi

ISKU
Since 1928



Tendo

ISKU
Since 1928



Tendo Air

ISKU
Since 1928



Tendo Air

ISKU
Since 1928